

Singer 69-19
Singer 69-24

**LIST
OF
PARTS**



SINGER
MACHINES**

Nos. 69-19 and 69-24

THE SINGER MANUFACTURING COMPANY

**A Trade Mark of THE SINGER MANUFACTURING COMPANY

From the library of: Diamond Needle Corp

List of Parts for Machine No. 69 UV 79

Same as Machine No. 69-19 with the following exceptions:-

Less Parts

17958 Clamp Arm Lifter
18490 " Complete
55378 Feed Across Connection
17766 " Can
55297 Feed Regulator Bracket 18369,
with 17742, 17745, 18356 and
18357
55377 Knife (needle thread)
55304 Stop Can Interlocking Rod
Case Bracket Complete
17865 Thread Wiper Body
1207 " " " Hinge Screw
17867 " " " Support
17868 " " " Wire
337 " " " Screw
17869 " " " Washer
55404 Throat Plate Complete

Add Parts

Ser. 150513 Arch Clamp Complete, Nos.
16543, 18367, 18477, 18486,
63734, Ser. 150509, Ser. 150511,
Ser. 150512, two each 1810,
1229, 15473, 14079, 63733 and
four 190J
63837 Clamp Lifter
55379 Feed Across Connection
Ser. 31036 " Can
55375 Feed Regulator Bracket
18469 with 18356, 18357,
39313 and 39361

Add Parts (Cont'd)

39285	Hand Stop Lever
86	" " " Hinge Screw
39285	" " " Connection
93	" " " " Screw
39286	" " " Guide Stud
	(back)
39287	" " " " Stud
	(front)
63906	" " " Rod
1661D	" " " Head
21678	" " " Rod Collar
24122	" " " Spring
55319	Knife (Needle Thread)
55305	Stop Cam Interlocking Rod
	Case Bracket Complete, Nos.
	1182X, 11960, 1204X, 12540,
	12620, 1506X, 16620, 17853,
	17859, 17861, 17862, 17872,
	17873, 39348, 55285 and two
	898D
59806	Thread Wiper Body Support
39453	" " " Finger
330	" " " " Screw
Ser. 37794	Throat Plate Ser. 37793,
	with 16780, 17828, 50018,
	50117J, 55321 and 55323

Needles 68 x 5 No. 19

INSTRUCTIONS FOR OILING

To ensure easy running and prevent unnecessary wear of the parts which are in movable contact, the machine requires oiling and when in continuous use, "TYPE B" or "TYPE D" OIL, sold by Singer Sewing Machine Company, should be applied at least twice each day to all oil holes marked "OIL", as instructed in Form 8396.

"TYPE D" OIL should be used when an oil is desired which will produce a minimum of stain on fabrics, even after a long period of storage.

Copyright, U. S. A., 1939 and 1940
by The Singer Manufacturing Company
All Rights Reserved for All Countries

INDEX

	Page
Attachments and Accessories.....	24
Bobbin Winder.....	24
Eye and Finger Guard.....	25
Machine No. 69-19.....	5
Machine No. 69-24.....	14
Numerical List of Parts.....	29
Starting Lever and Foot Lifter Parts.....	26
Starting Lever Rock Shaft (For Series 1600 Motors).....	27
Starting Lever Rock Shaft (For Series 1800, 2800, S 38 and S 48 Motors).....	27
Table Belt Guide.....	28
Thread Unwinder.....	28

From the library of: *Singer and Needle Company*

INSTRUCTIONS FOR ORDERING

In ordering from this list, use ONLY the part NUMBER in the FIRST column.

The number stamped on a Sewing Machine Part is in every case the number of the single part only.

Every combination of parts sent out as such has its specific number, which, although not stamped on the parts, must be used when ordering the combination.

Each number always indicates the SAME PART in whatever list it appears, or for whatever machine.

The letters after some of the numbers indicate the style of finish only, as follows:

- A-Hardened, Polished, Nickel Plated and Buffed
- A.A-Buffed and Chromium Plated
- A.B-Hardened, Polished, Buffed and Chromium Plated
- A.C-Brown Baking Enamel Finish
- A.D-Gray Baking Enamel Finish
- A.E-Hardened, Bright Rumbled and Nickel Plated
- A.F-Hardened, Bright Rumbled, Nickel Plated, Bright Rumbled and Chromium Plated
- B-Polished, Nickel Plated and Buffed
- C-Hardened Only
- C.R-Hardened and Merlized
- D-Polished Only
- E-Soft, Not Polished
- F-Hardened and Polished
- F.J-Hardened, Polished and Nickel Plated
- G-Bright Rumbled and Nickel Plated
- H-Blued
- J-Nickel Plated Only
- K-Hardened and Nickel Plated
- L-Brass Plated
- M-Oxidized
- N-Japaned, Dull
- P-Japaned, Bright
- P.P-Wrinkle Finish
- R-Merlized
- S-Cadmium Plated
- T-Copper Plated
- T.A-Hardened, Polished, Copper and Nickel Plated and Buffed
- T.B-Copper and Nickel Plated and Polished
- T.J-Copper and Nickel Plated Only
- T.K-Hardened, Copper and Nickel Plated
- T.L-Copper and Brass Plated
- T.M-Copper Plated and Oxidized
- U-Zinc Plated
- V-Silver Plated
- W-Polished and Nickel Plated
- X-Black Oxide, for Iron and Steel
- X.C-Hardened and Black Oxide, for Iron or Steel
- Y-Black Nickel Plated Only
- Z-Chromium Plated
- Z.A-Hardened, Polished, Nickel Plated, Buffed and Chromium Plated
- Z.B-Polished, Nickel Plated, Buffed and Chromium Plated
- Z.C-Hardened and Chromium Plated
- Z.D-Polished and Chromium Plated
- Z.G-Bright Rumbled, Nickel Plated, Bright Rumbled and Chromium Plated
- Z.J-Nickel and Chromium Plated
- Z.T-Copper and Chromium Plated

These letters MUST BE USED when they appear in the list; and AFTER the number as in the list.

In this series:

- 1 to 1500, 50001 to 51500 and 140001 to 142000 are Screw Numbers
- 1501 to 1800 and 51501 to 51800 are Nut Numbers
- 1801 to 2000 and 51801 to 52000 are Roller Numbers
- 2001 to 50000 and 52001 to 140000 and 142001 to 190000 are Sewing Machine Parts, 190001 and upward are numbers of Electrical Parts.

The figures in the second column refer only to the plates, illustrating the parts, and are NOT TO BE USED in ordering.

Parts marked with an asterisk (*) are furnished only when repairs are made at factory.

LIST OF PARTS COMPLETE

FOR

MACHINE No. 69-19

For Shoe Tacking. Makes a tack up to $\frac{3}{8}$ inch long; 2 staying, 9 long, 7 Cross in Center of tack and NO TYING STITCHES. Speed 1000 R. P. M.

No.	Plate	Name
*55405	----	Arm with 15404, 17844 and two each 164E and 15405.....
4389	8605	Arm Dowel Pin.....
4448	8605	" Oil Tube for intermediate bearing...
880E	8605	" Screw.....
17702	8605	" Shaft.....
17703	8605	" " Bushing (back).....
50333C	8605	" " " " Adjusting Screw
1520E	8605	" " " " " Nut.....
124674	8605	Arm Side Cover.....
190J	8605	" " " Screw.....
18498	8605	Belt Cover.....
39290	8605	" " Bracket with 184E and 17741..
184E	8605	" " " Screw Stud.....
17741	8605	" " " Stud.....
217J	8605	" " " Screw.....
39222	8598	" Shifter.....
63976	8598	" " Clamp.....
1255D	8598	" " " Screw.....
63811	8603	Clamp Arm (lower) with two 17992.....
17992	8603	" " " Hook.....
63812	8603	" " (upper).....
39333	8603	" " Bracket.....
39336	----	Clamp Arm Bracket (adjustable) complete, Nos. 129J, 1178J, 1300J, 1654C, 39333 to 39335 and 50048J.....
129J	8603	Clamp Arm Bracket Adjusting Screw.....
39334	8603	" " " Hinge Block.....
1300J	8603	" " " " Screw.....
50048J	8603	" " " " Screw (eccentric)
1654C	8603	" " " " Nut.....
17958	8596	" " Lifter with 17866.....
190J	8596	" " " Screw.....

From the library of: Hampton Roads Corp

PARTS FOR MACHINE No. 69-19

No.	Plate	Name
9330	8603	Clamp Arm Pin.....
1178J	8603	" " Screw.....
39335	8603	" " " Plate.....
18490	8603	Clamp complete, Nos. 1654C, 9330, 18365, 18367, 39304, 39336, 63811 and 63812
4292	8605	Crank Connecting Rod with two 145E.....
145E	8605	" " " Cap Screw.....
375C	8605	" " " Hinge Screw.....
151EE	8605	" " " " " Nut....
*55436	-----	Cylinder.....
18388	8603	" " Block.....
1300J	8603	" " " Screw.....
18427	8611	" " End Cover with 18428, 18444 and three 4604.....
18428	8611	Cylinder End Cover Bracket.....
18444	8611	" " " " Hinge Pin....
4604	8611	" " " " Rivet.....
18379	8611	" " " " Spring.....
217J	8611	" " " " Screw.....
17724	8593	Face Plate.....
17725	8593	Face Plate complete, Nos. 448C, 2105, 2107, 2127, 17724, 56791 and two 233J..
164D	8593	Face Plate Screw.....
2107	8593	" " Thread Guard.....
233J	8593	" " " " Screw.....
55376	8609	Feed Across Connection with four 1057E..
55378	-----	" " " " 55376 with 50598C and 55381.....
1057E	8609	Feed Across Connection Cap (lower) Screw
1057E	8609	" " " " (upper) Screw
18356	8609	" " Regulator with 1952.....
50598C	8609	" " " " Ball Screw Stud..
1676C	8609	" " " " " " Nut
17738	8609	" " " " " " " Washer.....
18357	8609	Feed Across Regulator Hinge Stud.....
690D	8609	" " " " " Clamping Screw.....
1952	8609	Feed Across Regulator Roller and Stud...
18358	8605	" " " Shaft.....
18359	8605	" " " Collar with two 200F..
200F	8605	" " " " Set Screw.....
18421	8605	" " " Crank (back) with 160E and 200C.....
55381	8609	Feed Across Shaft Crank (back) Ball Stud
200C	8605	" " " " " " " Set Screw.....
160E	8605	Feed Across Shaft Crank (back) Clamping Screw.....
18362	8605	Feed Across Shaft Crank (front) with 160E and 18363.....

PARTS FOR MACHINE No. 69-19

No.	Plate	Name
160E	8605	Feed Across Shaft Crank (front) Clamping Screw.....
18363	8605	Feed Across Shaft Crank (front) Stud....
18364	8603	" " " " " " Slide Block.....
17766	8607	Feed Cam with two each 1192C, 17874 and four 190J.....
39211	8605	Feed Cam Driving Worm with 1441C and 1442C.....
1442C	8605	Feed Cam Driving Worm Position Screw....
1441C	8605	" " " " Set Screw.....
39212	8607	" " " " Wheel with 453C...
18384	8607	" " " " " Pin.....
453C	8607	" " " " " Set Screw..
18384	8607	" " Pin.....
1192C	8607	" " Set Screw.....
62155	8607	" " Shaft.....
1653C	8607	" " " Nut.....
39304	8603	" Plate.....
18365	8603	" " Carrier Bar with 934J, 1195E, 1221F, 8505, 17743, 18366, 18390, two 55300 and four 17806.....
18366	8603	Feed Plate Carrier Bar Block.....
18367	8603	" " " " " Cover....
1221F	8603	" " " " " Screw.....
55300	8603	" " " " " Steady Pin.
17805	8603	" " " " " Pivot Block...
1194D	8603	" " " " " " Screw
18390	8603	" " " " " Plate.....
934J	8603	" " " " " Screw.....
1654C	8603	" " Nut.....
17806	8603	" " Position Stud.....
1195E	8603	" " Screw Stud.....
8505	8603	" " " Rivet.....
17742	8609	" Regulator with 1953.....
18369	8609	" " Bracket with 690D and two 160J.....
160J	8609	Feed Regulator Bracket Cap Screw.....
8589	8609	" " " Dowel Pin.....
1177E	8609	" " " Screw.....
17744	8609	" " Hinge Stud.....
17743	8603	" " Post.....
1953	8609	" " Roller and Screw Stud with 1655C and 37310.....
1655C	8609	Feed Regulator Roller and Screw Stud Nut
37310	8609	" " " " " " " Washer.....
1190C	8603	Feed Regulator Stop Screw.....
17745	8609	" " Swivel.....
1191D	8609	" " Thumb Screw.....

PARTS FOR MACHINE No. 69-19

No.	Plate	Name
55397	8611	Knife (needle thread).....
17808	8611	" (shuttle thread).....
55321	8611	" (stationary).....
50117J	8611	" " Screw.....
18370	8592	" Bar with 18373 and two 17822.....
18371	8592	" " Cap.....
217J	8592	" " " Screw.....
18372	8592	" " Connection with 17917.....
190J	8592	" " " Screw.....
7071	8592	" " " Washer.....
17915	8592	" " " Slide Block.....
17917	-----	" " " " " 17915 with 17916.....
17916	8592	Knife Bar Connection Slide Block Stud,..
39297	8592	" " Driving Lever with 190J,1420E, 17919 and 39298.....
1382F	8592	Knife Bar Driving Lever Hinge Screw.....
1681C	8592	" " " " " Nut.....
39298	8592	" " " " Lock Stud.....
17919	8592	" " " " " Spring
190J	8592	" " " " " " "
		Screw.....
1420E	8592	Knife Bar Driving Lever Lock Stud Stop Screw.....
18373	8592	Knife Bar Rack.....
17822	8592	" " " Rivet.....
39235	8592	" Cam Lever Body.....
39409	-----	" " " " 39235 with 39460...
39329	-----	Knife Cam Lever complete, Nos. 19793 and 39409.....
18470	8592	Knife Cam Lever Bracket with 1177D.....
8589	8592	" " " " Dowel Pin.....
670E	8592	" " " " Screw.....
50029C	8592	" " " " Hinge Screw.....
18471	8592	" " " " Bushing.....
18472	-----	" " " " " 18471 with 50029C.....
1177D	8592	Knife Cam Lever Hinge Screw Bushing Clamping Screw.....
1980	8592	Knife Cam Lever Roller and Screw Stud with 1654C.....
1654C	8592	Knife Cam Lever Roller and Screw Stud Nut.....
39330	8592	Knife Cam Lever Slide with 1980.....
39460	-----	" " " " 39330 with 1255J and 39331.....
1255J	8592	Knife Cam Lever Slide Screw.....
39331	8592	" " " " Washer.....
19793	8592	" " " " Steady Pin.....
17825	8611	" Holder with 17830 and two 7298.....

PARTS FOR MACHINE No. 69-19

No.	Plate	Name
55398	-----	Knife Holder 17825 with 1198C, 17808, 17829 and 55397.....
7298	8611	Knife Holder Pinion Dowel Pin.....
17827	8611	" " " Stud.....
17828	8611	" " " " Bracket with 17827.....
50018F	8611	Knife Holder Pinion Stud Bracket Screw..
1698C	8611	" " " " " Nut
1198C	8611	" Screw.....
17829	8611	" Thread Holder.....
17830	8611	" " " Position Pin.....
17831	8596	Needle Bar with 237F.....
63756	8596	" " Connecting Link with 21629...
377C	8596	" " " " Hinge Screw..
1518E	8596	" " " " " Nut
21629	8596	" " " Stud with 155C....
155C	8596	" " " " Set Screw..
39350	8592	" " Thread Nipper Driving Lever (adjustable) with 39351 and two 335J
39351	8592	Needle Bar Thread Nipper Driving Lever Extension.....
335J	8592	Needle Bar Thread Nipper Driving Lever Extension Screw.....
1198C	8592	Needle Bar Thread Nipper Driving Lever Hinge Screw.....
39352	8592	Needle Bar Thread Nipper Driving Lever Spring.....
17834	8596	Needle Bar Thread Nipper Lever with 17835.....
17835	8596	Needle Bar Thread Nipper Lever Bushing..
1200D	8596	" " " " Hinge Screw.....
39276	8596	Needle Bar Thread Nipper Lever Spring..
1329D	8596	" " " " " " Screw.....
17837	8592	Needle Bar Thread Nipper Rod.....
17838	8592	" " " " Adjusting Stud.....
1651E	8592	Needle Bar Thread Nipper Rod Adjusting Stud Lock Nut.....
17839	8592	Needle Bar Thread Nipper Rod Arm with 196F.....
196F	8592	Needle Bar Thread Nipper Rod Arm Set Screw.....
17840	8592	Needle Bar Thread Nipper Rod Support....
190J	8592	" " " " " Screw
237F	8596	" Set Screw.....
16806	8605	Oscillating Rock Shaft with 4784 and 65131.....
65130	8605	Oscillating Rock Shaft Hinge Pin.....

Find the Gray Diagram Code

PARTS FOR MACHINE No. 69-19

No.	Plate	Name
65131	-----	Oscillating Rock Shaft Hinge Pin 65130 with 1513J.....
1513J	8605	Oscillating Rock Shaft Hinge Pin Nut....
4784	8605	" " " Oil Pad.....
6023	8605	" " Shaft.....
18386	8605	" " Crank.....
18387	-----	Oscillating Shaft Crank complete, Nos. 237F, 1519E, 1517I and 18386.....
2049	8605	Oscillating Shaft Crank Pin.....
237F	8605	" " " Set Screw.....
15170	8605	" " " Slide Block.....
226J	8605	" " " " Cap Screw.....
12424	8605	Oscillating Shaft Crank Slide Block Cap Screw Washer.....
1035C	8605	Oscillating Shaft Crank Slide Block Screw Stud.....
1519E	8605	Oscillating Shaft Crank Slide Block Screw Stud Nut.....
15171	-----	Oscillating Shaft Crank Slide Block complete, Nos. 226J, 1035C, 12424 and 15170.....
2058	8596	Presser Bar.....
17841	8596	" " Collar with two 196F.....
196F	8596	" " " Set Screw.....
17842	8596	" " Guide Bracket with 453C.....
453C	8596	" " " Set Screw.....
17843	8592	" " Lifting Lever.....
17844	8592	" " " Bracket.....
164E	8592	" " " " Screw.....
1201C	8592	" " " Hinge Screw....
17845	8592	" " " Rod.....
17846	8592	" " " Chain....
32875	8596	" " Spring.....
68712	8605	Pulley (loose) 2 3/4 in. diam. with 200584D.....
68713	-----	Pulley (loose) 68712 with 68714.....
68714	8605	" " Ball Bearing.....
68715	8605	" " Bushing.....
51387R	8605	" " Cap Screw.....
200584D	8605	" " Oil Plug Screw.....
68716	8605	" (tight) 2 7/8 in. diam.....
68720	-----	" " 68716 with 1206C and 17854.....
2022	8605	Pulley (tight) Pin.....
68717	-----	Pulleys (ball bearing) complete, Nos. 51387R, 68713, 68715 and 68720.....
2073	8611	Shuttle Bobbin.....
2211	8611	" " Retaining Spring.....
2212	8611	" " " Rivet....

PARTS FOR MACHINE No. 69-19

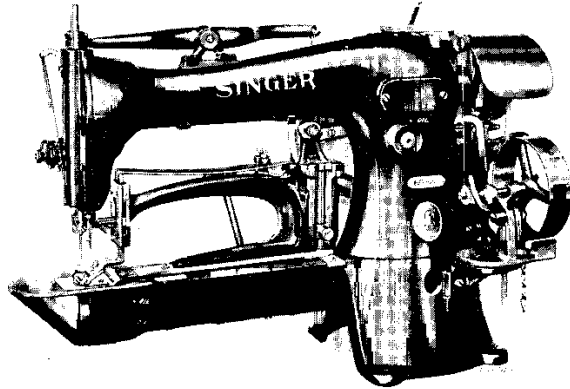
No.	Plate	Name
39295	8611	Shuttle Body with 398E, 2082, 2084, 2211 and two 2212.....
44001	8611	Shuttle Cover with 112J, 466H, 2078, 2080, 2086 and 2090.....
2076	8611	Shuttle Cover Hinge Pin.....
2078	8611	" " Delivery Eye Thread Guard.....
2080	8611	" " " Rivet.....
2082	8611	" " Main Spring.....
398E	8611	" " " Screw.....
2084	8611	" " " Steady Pin.....
466H	8611	" " Tension Regulating Screw.....
2086	8611	" " Spring.....
2090	8611	" " " Plate.....
112J	8611	" " " Screw.....
39296	8611	Shuttle complete, Nos. 2073, 2076, 39295 and 44001.....
39487	8605	Shuttle Driver with two 457C.....
2049	8605	" " Pin.....
457C	8605	" " Set Screw.....
55437	8611	" Race Body.....
55271	8611	" " Ring.....
55439	8611	" " Spring.....
51381D	8611	" " " Screw.....
55438	8611	Shuttle Race complete, Nos. 55271, 55437 and two each 51381D and 55439.....
51403J	8611	Shuttle Race Screw.....
17853	8598	Starting Lever.....
1262C	8598	" " Hinge Screw.....
1662C	8598	" " " Nut.....
17886	8598	" " Pitman.....
17854	8605	Stop Cam.....
17855	8598	" " Interlocking Rod.....
55388	8598	" " " Case.....
55389	-----	" " " " 55388 with 18443 and two 193J.....
55418	-----	Stop Cam Interlocking Rod Case 55389 with 63976 and two 1255D.....
55285	-----	Stop Cam Interlocking Rod Case 55418 with 1318D, 17855, 17863, 17864, 39222 and 68739.....
39346	8598	Stop Cam Interlocking Rod Case Bracket..
55304	-----	Stop Cam Interlocking Rod Case Bracket complete, Nos. 1182J, 1196C, 1204E, 1254C, 1262C, 1508E, 1662C, 17853, 17859, 17861, 17862, 17872, 17873, 39346, 55285 and two 898D.....
18493	8598	Stop Cam Interlocking Rod Case Bracket 55304 with 39343, 39344 and two 1186D
16532	8598	Stop Cam Interlocking Rod Case Bracket Dowel Pin.....

From the Library of Dr. Harold Neale, Otago

No.	Plate	Name
1343E	8598	Stop Cam Interlocking Rod Case Bracket Screw.....
1204E	8598	Stop Cam Interlocking Rod Case Hinge Screw.....
17859	8598	Stop Cam Interlocking Rod Case Socket Joint.....
898D	8598	Stop Cam Interlocking Rod Case Socket Joint Cap Screw.....
39343	8598	Stop Cam Interlocking Rod Case Spring (flat).....
50682C	8598	Stop Cam Interlocking Rod Case Spring Adjusting Screw.....
1520E	8598	Stop Cam Interlocking Rod Case Spring Adjusting Screw Nut.....
39344	8598	Stop Cam Interlocking Rod Case Spring Bracket with 1520E and 50682C.....
1186D	8598	Stop Cam Interlocking Rod Case Spring Bracket Screw.....
17861	8598	Stop Cam Interlocking Rod Case Stop Stud
1254C	8598	" " " " " " " " Screw Bushing.....
1508E	8598	Stop Cam Interlocking Rod Case Stop Stud Screw Bushing Lock Nut.....
17862	8598	Stop Cam Interlocking Rod Case Stop Stud Spring.....
18443	8598	Stop Cam Interlocking Rod Case Wearing Block.....
193J	8598	Stop Cam Interlocking Rod Case Wearing Block Screw.....
17863	8598	Stop Cam Interlocking Rod Spring.....
17864	8598	" " " " " Stop.....
1318D	8598	" " " " " Screw....
68739	8598	" " " " " Washer
3012	8605	" " Pin.....
1206C	8605	" " Screw.....
2102	8593	Tension Disc.....
1560C	8593	" Regulating Thumb Nut.....
600C	8593	" Screw Stud.....
16202	-----	" " " 600C with 1560C.....
448C	8593	" " " Set Screw.....
2103	8593	" Spring.....
2105	8593	" Thread Guard.....
56791	8593	Tension complete, Nos. 2103,2124,16202 and two 2102.....
39204	8605	Thread Take-up Cam with 446C.....
3012	8605	" " " Pin.....
446C	8605	" " " Set Screw.....
56756	8605	" " Lever with 76C and 1819..
76C	8605	" " " Hinge Screw.....
1819	8605	" " " Roller and Stud....

No.	Plate	Name
2124	8593	Thread Take-up Spring.....
2127	8593	" " " Regulator Plate...
233J	8593	" " " " " Ad-justing Screw.....
17865	8596	Thread Wiper Body.....
1207D	8596	" " " Hinge Screw.....
17866	8596	" " " Hook.....
17867	8596	" " " Support.....
641C	8596	" " " " Set Screw.....
17868	8596	" " " Wire.....
337D	8596	" " " " Screw.....
17869	8596	" " " " Washer.....
55402	8611	Throat Plate.....
55403	-----	" " 55402 with 55325 and two 1208D.....
55325	8611	Throat Plate Needle Hole Bushing (large needle hole).....
1208D	8611	Throat Plate Needle Hole Bushing Screw
55404	8611	Throat Plate complete, Nos. 1698C,17828, 50018F,50117J,55321,55398 and 55403.
691F	8611	Throat Plate Screw.....
17872	8598	Trip Lever.....
1196C	8598	" " Hinge Screw.....
17873	8598	" " Spring.....
1182E	8598	" " " Screw.....
17874	8607	Tripping Point.....
190J	8607	" " Screw.....
*15404	-----	Trade Mark.....
15405	-----	" " Rivet.....

LIST OF PARTS COMPLETE
FOR



MACHINE No. 69-24

For Stitching Back Stays in Oxfords. Makes single line tack
5/8 in. long; 21 stitches, including 3 tying stitches. Speed 1000
R. P. M.

No.	Plate	Name
55443	8604	Arch Clamp Foot (left).....
55444	-----	" " " " 55443 with 219J and 63731.....
55445	8604	Arch Clamp Foot (right).....
55446	-----	" " " " 55445 with 219J and 63732.....
17958	8596	Arch Clamp Foot Lifter with 17866.....
190J	8596	" " " " Screw.....
63726	8604	" " " " Lifting Stud.....
18477	8604	" " " " Plate.....
190W	8604	" " " " Screw.....
219J	8604	" " " " Screw.....
63731	8604	" " " " Shank (left) with 63726.
63732	8604	" " " " (right) with 63726
63733	8604	" " " " Spring.....

No.	Plate	Name
1229K	8604	Arch Clamp Foot Spring Adjusting Screw..
1547J	8604	" " " " " " " " " " " "
		Lock Nut.....
63734	8604	Arch Clamp Frame.....
14079	8604	" " " " Dowel Pin.....
181J	8604	" " " " Screw.....
55447	8604	Arch Clamp complete, Nos. 1654C, 18367, 18477, 18486, 55444, 55446, 55451, 63734, two each 181J, 1229K, 1547J, 14079, 63733 and four 190W.....
*55405	-----	Arm with 15404, 17844 and two each 164E and 15405.....
4389	8606	Arm Dowel Pin.....
4448	8606	" Oil Tube for intermediate bearing..
880E	8606	" Screw.....
17702	8606	" Shaft.....
17703	8606	" " Bushing (back).....
50333C	8606	" " " " Adjusting Screw
1520E	8606	" " " " " " " " " "
		Nut.....
124674	8606	Arm Side Cover.....
190J	8606	" " " " Screw.....
18498	8606	Belt Cover.....
39290	8606	" " " " Bracket with 184E and 17741..
184E	8606	" " " " Screw Stud.....
17741	8606	" " " " Stud.....
217J	8606	" " " " Screw.....
39222	8598	" Shifter.....
63976	8598	" " " " Clamp.....
1255D	8598	" " " " Screw.....
4292	8606	Crank Connecting Rod with two 145E...
145E	8606	" " " " Cap Screw.....
375C	8606	" " " " Hinge Screw.....
1518E	8606	" " " " " " " " Nut....
*55436	-----	Cylinder.....
18388	8604	" " " " Block.....
1300D	8604	" " " " Screw.....
18427	8611	" " " " End Cover with 18428, 18444 and three 4604.....
18428	8611	Cylinder End Cover Bracket.....
18444	8611	" " " " " " Hinge Pin....
4604	8611	" " " " " " Rivet.....
18379	8611	" " " " " " Spring.....
217J	8611	" " " " " " Screw.....
17724	8593	Face Plate.....
17725	8593	Face Plate complete, Nos. 448C, 2106, 2107, 2127, 17724, 56791 and two 233J..
164D	8593	Face Plate Screw.....
2107	8593	" " " " Thread Guard.....
233J	8593	" " " " " " " " Screw.....

Digitized by the Library of Parliament

No.	Plate	Name
55376	8610	Feed Across Connection with four 1057E..
55378	-----	" " " " 55376 with 50598C and 55381.....
1057E	8610	Feed Across Connection Cap (lower) Screw
1057E	8610	" " " " (upper) Screw
18356	8610	" " Regulator with 1952.....
50598C	8610	" " " " Ball Screw Stud...
1678C	8610	" " " " " " " " Nut
17738	8610	" " " " " " " " " "
		Washer.....
18357	8610	Feed Across Regulator Hinge Stud.....
690D	8610	" " " " " " " " Clamping Screw.....
1952	8610	Feed Across Regulator Roller and Stud...
18358	8606	" " " " Shaft.....
18359	8606	" " " " Collar with two 200F..
200F	8606	" " " " " " Set Screw.....
18360	8606	" " " " Crank (back) with 160E and 200C.....
55381	8610	Feed Across Shaft Crank (back) Ball Stud
200C	8606	" " " " " " " " " "
		Set Screw.....
160E	8606	Feed Across Shaft Crank (back) Clamping Screw.....
18362	8606	Feed Across Shaft Crank (front) with 160E and 18363.....
160E	8606	Feed Across Shaft Crank (front) Clamping Screw.....
18363	8606	Feed Across Shaft Crank (front) Stud....
18364	8604	" " " " " " " " " "
		Slide Block.....
55448	8608	Feed Cam (double nipper depression) with two each 190J, 1192C and 17874.....
18415	8606	Feed Cam Driving Worm with 1441C and 1442C.....
1442C	8606	Feed Cam Driving Worm Position Screw....
1441C	8606	" " " " " " Set Screw.....
17797	8608	" " " " " " Wheel with 453C...
18384	8608	" " " " " " Pin.....
453C	8608	" " " " " " Set Screw...
18384	8608	" " " " " " Pin.....
1192C	8608	" " " " " " Set Screw.....
62155	8608	" " " " " " Shaft.....
1653C	8608	" " " " " " Nut.....
55449	8604	" " " " " " Plate.....
55451	8604	Feed Plate complete, Nos. 55449, 55450 and two 240J.....
18486	8604	Feed Plate Carrier Bar with 810D, 934J, 1195E, 1221F, 8505, 18366, 18390, 18488, 18489, two 55300 and four 17806.....

No.	Plate	Name
18366	8604	Feed Plate Carrier Bar Block.....
18367	8604	" " " " " " Cover.....
1221F	8604	" " " " " " Screw.....
55300	8604	" " " " " " Steady Pin.
17805	8604	" " " " " " Pivot Block.....
1194D	8604	" " " " " " " " Screw
18390	8604	" " " " " " Plate.....
934J	8604	" " " " " " " " Screw.....
55450	8604	" " " " " " Guide.....
240J	8604	" " " " " " " " Screw.....
1654C	8604	" " " " " " Nut.....
17806	8604	" " " " " " Position Stud.....
1195E	8604	" " " " " " Screw Stud.....
8505	8604	" " " " " " " " Rivet.....
18487	8610	" " " " " " Regulator with 1953.....
18369	8610	" " " " " " Bracket with 690D and two 160J.....
160J	8610	Feed Regulator Bracket Cap Screw.....
8589	8610	" " " " " " Dowel Pin.....
1177E	8610	" " " " " " " " Screw.....
17744	8610	" " " " " " Hinge Stud.....
18488	8604	" " " " " " Post.....
18489	8604	" " " " " " " " Guide.....
810D	8604	" " " " " " " " Cap Screw.....
1953	8610	" " " " " " " " Roller and Screw Stud with 1655C and 37310.....
1655C	8610	Feed Regulator Roller and Screw Stud Nut
37310	8610	" " " " " " " " " "
		Washer.....
17745	8610	Feed Regulator Swivel.....
1191D	8610	" " " " " " Thumb Screw.....
55397	8611	Knife (needle thread).....
17808	8611	" " (shuttle thread).....
55321	8611	" " (stationary).....
50117J	8611	" " " " " " " " Screw.....
18370	8592	" " " " " " Bar with 18373 and two 17822.....
18371	8592	" " " " " " " " Cap.....
217J	8592	" " " " " " " " Screw.....
18372	8592	" " " " " " Connection with 17917.....
190J	8592	" " " " " " " " Screw.....
7071	8592	" " " " " " " " Washer.....
17915	8592	" " " " " " " " Slide Block.....
17917	-----	" " " " " " " " 17915 with 17916.....
17916	8592	Knife Bar Connection Slide Block Stud...
39297	8592	" " " " " " Driving Lever with 190J, 1420E, 17919 and 39298.....
1382F	8592	Knife Bar Driving Lever Hinge Screw.....
1881C	8592	" " " " " " " " " " Nut.
39298	8592	" " " " " " " " " " Lock Stud.....

No.	Plate	Name
17919	8592	Knife Bar Driving Lever Lock Stud Spring
190J	8592	" " " " " " " "
		Screw.....
1420E	8592	Knife Bar Driving Lever Lock Stud Stop
		Screw.....
18373	8592	Knife Bar Rack.....
17822	8592	" " " Rivet.....
39235	8592	" Cam Lever Body.....
39409	-----	" " " " 39235 with 39460...
39329	-----	Knife Cam Lever complete, Nos. 19793 and
		39409.....
18470	8592	Knife Cam Lever Bracket with 1177D.....
8589	8592	" " " " Dowel Pin.....
670E	8592	" " " " Screw.....
50029C	8592	" " " Hinge Screw.....
18471	8592	" " " " Bushing.....
18472	-----	" " " " " " 18471
		with 50029C.....
1177D	8592	Knife Cam Lever Hinge Screw Bushing
		Clamping Screw.....
1980	8592	Knife Cam Lever Roller and Screw Stud
		with 1654C.....
1654C	8592	Knife Cam Lever Roller and Screw Stud
		Nut.....
39330	8592	Knife Cam Lever Slide with 1980.....
39460	-----	" " " " 39330 with 1255J
		and 39331.....
1255J	8592	Knife Cam Lever Slide Screw.....
39331	8592	" " " " Washer.....
19793	8592	" " " " Steady Pin.....
17825	8611	" Holder with 17830 and two 7298....
55398	-----	" " 17825 with 1198C, 17808, 17829
		and 55397.....
7298	8611	Knife Holder Pinion Dowel Pin.....
17827	8611	" " " Stud.....
17828	8611	" " " " Bracket with
		17827.....
50018F	8611	Knife Holder Pinion Stud Bracket Screw..
1698C	8611	" " " " " Nut
1198C	8611	" Screw.....
17829	8611	" Thread Holder.....
17830	8611	" " " Position Pin.....
17831	8596	Needle Bar with 237F.....
63756	8596	" " Connecting Link with 21629...
377C	8596	" " " Hinge Screw..
1518E	8596	" " " " Nut
21629	8596	" " " Stud with 155C....
155C	8596	" " " Set Screw....
39350	8592	" Thread Nipper Driving Lever
		(adjustable) with 39351 and two 335J

No.	Plate	Name
39351	8592	Needle Bar Thread Nipper Driving Lever
		Extension.....
335J	8592	Needle Bar Thread Nipper Driving Lever
		Extension Screw.....
1198C	8592	Needle Bar Thread Nipper Driving Lever
		Hinge Screw.....
39352	8592	Needle Bar Thread Nipper Driving Lever
		Spring.....
17834	8596	Needle Bar Thread Nipper Lever with
		17835.....
17835	8596	Needle Bar Thread Nipper Lever Bushing..
1200D	8596	" " " " Hinge
		Screw.....
39276	8596	Needle Bar Thread Nipper Lever Spring..
1329D	8596	" " " " " "
		Screw.....
17837	8592	Needle Bar Thread Nipper Rod.....
17838	8592	" " " " Adjusting
		Stud.....
1651E	8592	Needle Bar Thread Nipper Rod Adjusting
		Stud Lock Nut.....
17839	8592	Needle Bar Thread Nipper Rod Arm with
		196F.....
196F	8592	Needle Bar Thread Nipper Rod Arm Set
		Screw.....
17840	8592	Needle Bar Thread Nipper Rod Support....
190J	8592	" " " " " Screw
237F	8596	" Set Screw.....
55278	8606	Oscillating Rock Shaft with 4784 and
		55453.....
55452	8606	Oscillating Rock Shaft Hinge Pin.....
55453	-----	" " " " " 55452
		with 1513J.....
1513J	8606	Oscillating Rock Shaft Hinge Pin Nut..
4784	8606	" " " Oil Pad.....
6023	8606	" Shaft.....
18386	8606	" " Crank.....
18387	-----	Oscillating Shaft Crank complete, Nos.
		237F, 1519E, 15171 and 18386.....
2049	8606	Oscillating Shaft Crank Pin.....
237F	8606	" " " Set Screw.....
15170	8606	" " " Slide Block....
226J	8606	" " " " Cap
		Screw.....
12424	8606	Oscillating Shaft Crank Slide Block Cap
		Screw Washer.....
1035C	8606	Oscillating Shaft Crank Slide Block
		Screw Stud.....
1519E	8606	Oscillating Shaft Crank Slide Block
		Screw Stud Nut.....

PARTS FOR MACHINE No. 69-24

No.	Plate	Name
15171	-----	Oscillating Shaft Crank Slide Block complete, Nos. 226J, 1035C, 12424 and 15170.....
2058	8596	Presser Bar.....
17841	8596	" " Collar with two 196F.....
196F	8596	" " Set Screw.....
17842	8596	" " Guide Bracket with 453C.....
453C	8596	" " Set Screw.....
17843	8592	" " Lifting Lever.....
17844	8592	" " Bracket.....
164E	8592	" " " " Screw
1201C	8592	" " " " Hinge Screw...
17845	8592	" " " " Rod.....
17846	8592	" " " " Chain.....
32875	8596	" " Spring.....
68712	8606	Pulley (loose) 2 3/4 in. diam., with 200584D.....
68713	-----	Pulley (loose) 68712 with 68714.....
68714	8606	" " Ball Bearing.....
68715	8606	" " Bushing.....
51387R	8606	" " Cap Screw.....
200584D	8606	" " Oil Plug Screw.....
68716	8606	" (tight) 2 7/8 in. diam.....
68720	-----	" " 68716 with 1206C and 17854.....
2022	8606	Pulley (tight) Pin.....
68717	-----	Pulleys (ball bearing) complete, Nos. 51387R, 68713, 68715 and 68720.....
2073	8611	Shuttle Bobbin.....
2211	8611	" " Retaining Spring.....
2212	8611	" " " " Rivet...
39295	8611	" " Body with 398E, 2082, 2084, 2211 and two 2212.....
44001	8611	Shuttle Cover with 112J, 466H, 2078, 2080, 2086 and 2090.....
2076	8611	Shuttle Cover Hinge Pin.....
2078	8611	" " Delivery Eye Thread Guard.....
2080	8611	" " " " Rivet.
2082	8611	" " Main Spring.....
398E	8611	" " " " Screw.....
2084	8611	" " " " Steady Pin.....
466H	8611	" " Tension Regulating Screw.....
2086	8611	" " Spring.....
2090	8611	" " " " Plate.....
112J	8611	" " " " Screw.....
39296	8611	Shuttle complete, Nos. 2073, 2076, 39295 and 44001.....
39487	8606	Shuttle Driver with two 457C.....
2049	8606	" " Pin.....
457C	8606	" " Set Screw.....

PARTS FOR MACHINE No. 69-24

No.	Plate	Name
55437	8611	Shuttle Race Body.....
55271	8611	" " Ring.....
55439	8611	" " " " Spring.....
51381D	8611	" " " " Screw.....
55438	8611	Shuttle Race complete, Nos. 55271, 55437 and two each 51381D and 55439.....
51403J	8611	Shuttle Race Screw.....
17853	8598	Starting Lever.....
1262C	8598	" " Hinge Screw.....
1662C	8598	" " " " Nut.....
17886	8598	" " Pitman.....
17854	8606	Stop Cam.....
17855	8598	" " Interlocking Rod.....
55388	8598	" " " " Case.....
55389	-----	" " " " " 55388 with 18443 and two 193J.....
55418	-----	Stop Cam Interlocking Rod Case 55389 with 63976 and two 1255D.....
55285	-----	Stop Cam Interlocking Rod Case 55418 with 1318D, 17855, 17863, 17864, 39222 and 68739.....
39346	8598	Stop Cam Interlocking Rod Case Bracket..
55304	-----	Stop Cam Interlocking Rod Case Bracket complete, Nos. 1182J, 1196C, 1204E, 1254C, 1262C, 1508E, 1662C, 17853, 17859, 17861, 17862, 17872, 17873, 39346, 55285 and two 898D.....
18493	8598	Stop Cam Interlocking Rod Case Bracket 55304 with 39343, 39344 and two 1186D.....
16532	8598	Stop Cam Interlocking Rod Case Bracket Dowel Pin.....
1343E	8598	Stop Cam Interlocking Rod Case Bracket Screw.....
1204E	8598	Stop Cam Interlocking Rod Case Hinge Screw.....
17859	8598	Stop Cam Interlocking Rod Case Socket Joint.....
898D	8598	Stop Cam Interlocking Rod Case Socket Joint Cap Screw.....
39343	8598	Stop Cam Interlocking Rod Case Spring (flat).....
50682C	8598	Stop Cam Interlocking Rod Case Spring Adjusting Screw.....
1520E	8598	Stop Cam Interlocking Rod Case Spring Adjusting Screw Nut.....
39344	8598	Stop Cam Interlocking Rod Case Spring Bracket with 1520E and 50682C.....
1186D	8598	Stop Cam Interlocking Rod Case Spring Bracket Screw.....

No.	Plate	Name
17861	8598	Stop Cam Interlocking Rod Case Stop Stud
1254C	8598	" " " " " " " "
		Screw Bushing.....
150EE	8598	Stop Cam Interlocking Rod Case Stop Stud
		Screw Bushing Lock Nut.....
17862	8598	Stop Cam Interlocking Rod Case Stop Stud
		Spring.....
18443	8598	Stop Cam Interlocking Rod Case Wearing
		Block.....
193J	8598	Stop Cam Interlocking Rod Case Wearing
		Block Screw.....
17863	8598	Stop Cam Interlocking Rod Spring.....
17864	8598	" " " " Stop.....
131ED	8598	" " " " " Screw....
66739	8598	" " " " " " Wash- er.....
3012	8606	Stop Cam Pin.....
1206C	8606	" " Screw.....
2102	8593	Tension Disc.....
1560C	8593	" Regulating Thumb Nut.....
600C	8593	" Screw Stud.....
16202	-----	" " " 600C with 1560C.....
446C	8593	" " " Set Screw.....
2103	8593	" Spring.....
2105	8593	" Thread Guard.....
56791	8593	Tension complete, Nos. 2103, 2124, 16202 and two 2102.....
39204	8606	Thread Take-up Cam with 446C.....
3012	8606	" " " Pin.....
446C	8606	" " " Set Screw.....
56756	8606	" " Lever with 76C and 1819..
76C	8606	" " " Hinge Screw.....
1819	8606	" " " Roller and Stud....
2124	8593	" " Spring.....
2127	8593	" " " Regulator Plate...
233J	8593	" " " " " Ad- justing Screw.....
17865	8596	Thread Wiper Body.....
1207D	8596	" " " Hinge Screw.....
17866	8596	" " " Hook.....
17867	8596	" " " Support.....
641C	8596	" " " " Set Screw....
17868	8596	" " " Wire.....
337D	8596	" " " " Screw.....
17869	8596	" " " " Washer....
55402	8611	Throat Plate.....
55403	-----	" " 55402 with 55325 and two 1208D.....
55325	8611	Throat Plate Needle Hole Bushing (large needle hole).....

No.	Plate	Name
1208D	8611	Throat Plate Needle Hole Bushing Screw..
55404	8611	Throat Plate complete, Nos. 1698C, 17828, 50018F, 50117J, 55321, 55398 and 55403.
691F	8611	Throat Plate Screw.....
17872	8598	Trip Lever.....
1196C	8598	" " Hinge Screw.....
17873	8598	" " Spring.....
1182E	8598	" " " Screw.....
17874	8608	Tripping Point.....
190J	8608	" " " Screw.....
*15404	-----	Trade Mark.....
15405	-----	" " Rivet.....

ATTACHMENTS AND ACCESSORIES

No.	Plate	Name
18419	8599	Cylinder Base Plate with two 453C.....
18420	8599	" " " Hinge Connection....
18423	8599	" " " " " Hinge Pin.....
453C	8599	Cylinder Base Plate Hinge Connection Hinge Pin Set Screw.....
18424	8599	Cylinder Base Plate (hinged) complete, Nos. 18419, two each 18420, 18423, three wood screws 1 1/4 in. No. 12 and four 134D.....
134D	8599	Cylinder Base Plate Screw.....
41400	8599	Machine Rest Pin (wood).....
120346	8599	Oiler (copper plated) with 120347.....
120347	8599	Oiler Spout, 8 1/2 in. long.....
11831	8599	Screw Driver (large).....
26026	8599	" " (machine).....
26485	8599	" " (shuttle tension).....
10875	8599	Wrench for 1518 and 1520.....
27662	8599	" " 1508.....
17905	8599	" " 1654 and 1676.....
22003	8599	" " 1651.....

BOBBIN WINDER

(SWINGING AUTOMATIC, LEFT HAND)

FOR 2073

No.	Plate	Name
41598	8612	Base with 27916 and two 28084.....
1186C	8612	" Screw.....
126391	8612	Bracket for 41714.....
129C	8612	" Screw.....
27916	8612	Brake (leather).....
28084	8612	" Rivet.....
27321	8612	Frame.....
50356D	8612	" Hinge Screw.....
1620J	8612	" " " Nut.....
41825	8612	" Spring.....
41600	8612	Pulley with 155C.....
155C	8612	" Set Screw.....
27305	8612	Spindle.....
27326	8612	Stop Latch.....
35D	8612	" " Hinge Screw.....
60769	8612	Tension Bracket.....
60770	8612	Tension Bracket complete, Nos. 419E, 1562J, 8422, 9780, 43808, 60769 and two 2455.....

No.	Plate	Name
9780	8612	Tension Bracket Position Stud.....
161D	8612	" " Screw.....
2455	8612	" Disc.....
1562J	8612	" Regulating Thumb Nut.....
419E	8612	" Screw Stud.....
43808	8612	" Spring.....
8422	8612	" Thread Guide.....
41713	-----	Bobbin Winder, Nos. 35D, 1620J, 27305, 27321, 27326, 41598, 41600, 41825 and 50356D.....
41714	8612	Bobbin Winder (swinging automatic, left hand) complete, for 126391, Nos. 161D, 41713, 60770 and two 1186C....

EYE AND FINGER GUARD

No.	Plate	Name
121603	8601	Eye and Finger Guard (glass).....
121604	8601	Carrying Arm.....
1004K	8601	" " Hinge Screw (back).....
1698J	8601	" " " " Nut.....
50222K	8601	" " " " (front).....
1735J	8601	" " " " Nut.....
121605	8601	" " Spring.....
50435K	8601	Depressing Screw.....
121606	8601	" " Holder.....
140061J	8601	" " " Screw.....
121607	8601	Frame.....
121608	-----	" 121607 with 121603.....
50165J	8601	" Screw.....
121609	8601	Guiding Rod.....
50435K	8601	" " Hinge Screw.....
121611	8601	Holder.....
121612	8601	Supporting Bracket.....
191J	8601	" " Screw.....
*121613	-----	Eye and Finger Guard complete, Nos. 1004K, 1698J, 1735J, 50222K, 50435K, 121604, 121605, 121606, 121609, 121611, 121612 and two 50165J.....
68740	-----	Face Plate.....
68741	8601	" " 68740 with 2105.....
68742	-----	Face Plate complete, Nos. 448C, 2107, 2127, 56791, 68741 and two 233J....
164D	8601	Face Plate Screw.....
2107	8601	" " Thread Guard.....
233J	8601	" " " " Screw.....
2102	8601	Tension Disc.....

EYE AND FINGER GUARD

No.	Plate	Name
1560C	8601	Tension Regulating Thumb Nut.....
600C	8601	" Screw Stud.....
16202	-----	" " " 600C with 1560C.....
448C	8601	" " " Set Screw.....
2103	8601	" Spring.....
2105	8601	" Thread Guard.....
56791	8593	Tension complete, Nos. 2103, 2124, 16202 and two 2102.....
2124	8601	Thread Take-up Spring.....
2127	8601	" " " Regulator Plate...
233J	8601	" " " " " Ad- justing Screw.....
121626	8601	Eye and Finger Guard with Face Plate complete, Nos. 50435K, 68742, 121606, 121613, 140061J and two 191J.....

STARTING LEVER AND FOOT
LIFTER PARTS

No.	Plate	Name
17876	8602	Treadle with 443C.....
17877	8602	" Pitman Rod (lower).....
17878	8602	" " " (upper).....
17879	8602	" " " Clamp with two 161E..
161E	8602	" " " " Screw.....
17880	8602	Treadle Pitman complete, Nos. 17877 to 17879.....
17881	8602	Treadle Shaft.....
443C	8602	" " Set Screw.....
17882	8602	" Spring.....
17883	8602	" Stand.....
17884	8602	Treadle complete, Nos. 17876, 17881 to 17883 and two wood screws 1 in. No. 10.....
17885	-----	Treadle and Pitman complete, Nos. 17880 and 17884.....

STARTING LEVER ROCK SHAFT

FOR SERIES 1600 MOTORS

No.	Plate	Name
14224	23506	Chain, length 10 1/4 in., with 56864....
56864	23506	" Hook.....
7124	23506	Rock Shaft.....
27683	23506	" " Arm with two 356C.....
356C	23506	" " " Set Screw.....
16128	23506	" " Hanger with two wood screws 1 in. No. 10.....
32134	23506	Rock Shaft Spring.....
2770	23506	" " Stop Dog with 140219C.....
140219C	23506	" " " " Set Screw.....
63981	23506	Starting Lever Rock Shaft complete, Nos. 7124, 14424, 32134 and two each 2770, 16128 and 27683.....

STARTING LEVER ROCK SHAFT

FOR SERIES 1800, 2800, S 38 AND S 48 MOTORS

No.	Plate	Name
55433	23506	Chain, length 10 1/4 in., with two 56865.
56865	23506	" Hook.....
55431	23506	Rock Shaft.....
27683	23506	" " Arm with two 356C.....
55435	23506	" " " " 51067C.....
356C	23506	" " " Set Screw.....
51067C	23506	" " " Set Screw.....
21327	23506	" " Hanger with two wood screws 1 in. No. 10.....
32134	23506	Rock Shaft Spring.....
2770	23506	" " Stop Dog with 140219C.....
140219C	23506	" " " " Set Screw.....
55432	23506	Starting Lever Rock Shaft complete, Nos. 27683, 32134, 55431, 55433, 55435, wood screw 1 in. No. 12 F.H. and two each 2770 and 21327.....

TABLE BELT GUIDE

No.	Plate	Name
39218	8602	Belt Guide with two 168E.....
168E	8602	" " Set Screw.....
17892	8602	Bracket with two 153E.....
17893	8602	Pulley.....
39219	8602	" Shaft (long) with 17896 and 63973
63973	8602	" " " Wick (braided cotton).....
39220	8602	Pulley Shaft (short) with 17896 and 63974.....
63974	8602	Pulley Shaft (short) Wick (braided cotton).....
17896	8602	Pulley Shaft Plug.....
153E	8602	" " Set Screw.....
39221	8602	Table Belt Guide complete, Nos. 17892, 39219, 39220, two each 17893, 39218 and three wood screws 1 1/4 in. No. 12.....

THREAD UNWINDER

FOR TWO SPOOLS OR TWO LARGE CONES OF THREAD

No.	Plate	Name
225257	22248	Spool Rest with 201018C.....
150203	22248	" " Cushion (felt).....
225388	22248	" " Rod.....
200383C	22248	" " " Set Screw.....
201018C	22248	" " Set Screw.....
202490	22248	" Stand with 200383C.....
225391	22248	Thread Guide.....
201696J	22248	" " Lock Nut.....
225326	22248	" " Position Cup.....
225324	22248	" " Rod with 208E and 225322...
208E	22248	" " Screw.....
225322	22248	" " " Washer.....
225258	22248	Thread Unwinder complete, Nos. 201696J, 202490, 225257, 225324, 225326, 225388, two each 150203, 225391 and three wood screws 7/8 in. No. 12.....
27739	22248	Thread Cone (wood) for large cones.....
225390	22248	" " Holder, for inverted cones..

Note: Nos. 27739 and 225390 are used with, but not included in 225258.

NUMERICAL LIST OF PARTS

No.	Plate	Name
35D	8612	Bobbin Winder Stop Latch Hinge Screw for 41713.....
76C	8605	Thread Take-up Lever Hinge Screw for 56756.....
112J	8611	Shuttle Tension Spring Screw for 44001..
129E	8612	Bobbin Winder Bracket Screw for 41714...
129J	8603	Clamp Arm Bracket Adjusting Screw for 39336.....
134D	8599	Cylinder Base Plate Screw for 18424.....
145E	8605	Crank Connecting Rod Cap Screw for 4292.
153E	8602	Table Belt Guide Pulley Shaft Set Screw for 17892.....
155C	8612	Bobbin Winder Pulley Set Screw for 41800
155C	8596	Needle Bar Connecting Stud Set Screw for 21629.....
160E	8605	Feed Across Shaft Crank (back) Clamping Screw for 18360 and 18421.....
160E	8605	Feed Across Shaft Crank (front) Clamping Screw for 18362.....
160J	8609	Feed Regulator Bracket Cap Screw for 18369.....
161D	8612	Bobbin Winder Tension Bracket Screw for 41714.....
161E	8602	Starting Lever and Foot Lifter Treadle Pitman Rod Clamp Screw for 17879..
164D	8601	Eye and Finger Guard Face Plate Screw..
164D	8593	Face Plate Screw.....
164E	8592	Presser Bar Lifting Lever Bracket Screw for 55405.....
168E	8602	Table Belt Guide Set Screw for 39218...
181J	8604	Arch Clamp Frame Screw for 55447.....
184E	8605	Belt Cover Bracket Screw Stud for 39290.
190J	8596	Arch Clamp Foot Lifter Screw for 69-24 Machine.....
190W	8604	Arch Clamp Foot Plate Screw for 55447..
190J	8605	Arm Side Cover Screw.....
190J	8596	Clamp Arm Lifter Screw for 69-19 Machine
190J	8592	Knife Bar Connection Screw.....
190J	8592	" " Driving Lever Lock Stud Spring Screw for 39297.....
190J	8592	Needle Bar Thread Nipper Rod Support Screw.....
190J	8607	Tripping Point Screw for 17766 and 55448
191J	8601	Eye and Finger Guard Supporting Bracket Screw for 121626.....
193J	8598	Stop Cam Interlocking Rod Case Wearing Block Screw for 55389.....

NUMERICAL LIST OF PARTS

No.	Plate	Name
196F	8592	Needle Bar Thread Nipper Rod Arm Set Screw for 17839.....
196F	8596	Presser Bar Collar Set Screw for 17841..
200F	8605	Feed Across Shaft Collar Set Screw for 18359.....
200C	8605	Feed Across Shaft Crank (back) Ball Stud Set Screw for 18360 and 18421.....
208E	22248	Thread Unwinder Thread Guide Rod Screw for 225324.....
217J	8605	Belt Cover Screw.....
217J	8611	Cylinder End Cover Spring Screw.....
217J	8592	Knife Bar Cap Screw.....
219J	8604	Arch Clamp Foot Screw for 55444 and 55446.....
226J	8605	Oscillating Shaft Crank Slide Block Cap Screw for 15171.....
233J	8601	Eye and Finger Guard Face Plate Thread Guard Screw for 68742.....
233J	8601	Eye and Finger Guard Thread Take-up Spring Regulator Plate Adjusting Screw for 68742.....
233J	8593	Face Plate Thread Guard Screw for 17725..
233J	8593	Thread Take-up Spring Regulator Plate Adjusting Screw.....
237F	8596	Needle Set Screw for 17831.....
237F	8605	Oscillating Shaft Crank Set Screw for 18387.....
240J	8604	Feed Plate Guide Screw for 55451.....
335J	8592	Needle Bar Thread Nipper Driving Lever Extension Screw for 39350.....
337D	8596	Thread Wiper Body Wire Screw.....
356C	23506	Starting Lever Rock Shaft Arm Set Screw for 27633.....
375C	8605	Crank Connecting Rod Hinge Screw.....
377C	8596	Needle Bar Connecting Link Hinge Screw..
398E	8611	Shuttle Main Spring Screw for 39295.....
419E	8612	Bobbin Winder Tension Screw Stud for 60770.....
443C	8602	Starting Lever and Foot Lifter Treadle Shaft Set Screw for 17876.....
448C	8605	Thread Take-up Cam Set Screw for 39204..
448C	8601	Eye and Finger Guard Tension Screw Stud Set Screw for 68742.....
448C	8593	Tension Screw Stud Set Screw for 17725..
453C	8599	Cylinder Base Plate Hinge Connection Hinge Pin Set Screw for 18419.....
453C	8607	Feed Cam Driving Worm Wheel Set Screw for 17797 and 39212.....
453C	8596	Presser Bar Guide Bracket Set Screw for 17842.....

NUMERICAL LIST OF PARTS

No.	Plate	Name
457C	8605	Shuttle Driver Set Screw for 39487.....
466H	8611	" Tension Regulating Screw for 44001.....
600C	8601	Eye and Finger Guard Tension Screw Stud for 16202.....
600C	8593	Tension Screw Stud for 16202.....
641C	8596	Thread Wiper Body Support Set Screw.....
670E	8592	Knife Cam Lever Bracket Screw.....
690D	8609	Feed Across Regulator Hinge Stud Clamping Screw for 18369.....
691F	8611	Throat Plate Screw.....
810D	8604	Feed Regulator Post Guide Cap Screw for 18486.....
880E	8605	Arm Screw.....
898D	8598	Stop Cam Interlocking Rod Case Socket Joint Cap Screw for 55304.....
934J	8603	Feed Plate Carrier Bar Plate Screw for 18365 and 18486.....
1004K	8601	Eye and Finger Guard Carrying Arm Hinge Screw (back) for 121613.....
1035C	8605	Oscillating Shaft Crank Slide Block Screw Stud for 15171.....
1057E	8609	Feed Across Connection Cap (lower) Screw for 55376.....
1057E	8609	Feed Across Connection Cap (upper) Screw for 55376.....
1177E	8609	Feed Regulator Bracket Screw.....
1177D	8592	Knife Cam Lever Hinge Screw Bushing Clamping Screw for 18470.....
1178J	8603	Clamp Arm Screw for 39336.....
1182D	8598	Trip Lever Spring Screw for 55304.....
1186C	8612	Bobbin Winder Base Screw for 41714.....
1186D	8598	Stop Cam Interlocking Rod Case Spring Bracket Screw for 18493.....
1190C	8603	Feed Regulator Stop Screw for 69-19 Machine.....
1191D	8609	Feed Regulator Thumb Screw.....
1192C	8607	" Cam Set Screw for 17766 and 55448..
1194D	8603	" Plate Carrier Bar Pivot Block Screw
1195E	8603	" " Screw Stud for 18365 and 18486.....
1196C	8592	Needle Bar Thread Nipper Driving Lever Hinge Screw.....
1196C	8598	Trip Lever Hinge Screw for 55304.....
1198C	8611	Knife Screw for 55398.....
1200D	8596	Needle Bar Thread Nipper Lever Hinge Screw.....
1201C	8592	Presser Bar Lifting Lever Hinge Screw...
1204E	8598	Stop Cam Interlocking Rod Case Bracket Screw for 55304.....

From the Libray of the Department of the Interior

NUMERICAL LIST OF PARTS

No.	Plate	Name
1206C	8605	Stop Cam Screw for 68720.....
1207D	8596	Thread Wiper Body Hinge Screw.....
1208D	8611	Throat Plate Needle Hole Bushing Screw for 55403.....
1221F	8603	Feed Plate Carrier Bar Block Screw for 18365 and 18486.....
1229K	8604	Arch Clamp Foot Spring Adjusting Screw for 55447.....
1254C	8598	Stop Cam Interlocking Rod Case Stop Stud Screw Bushing for 55304.....
1255D	8598	Belt Shifter Clamp Screw for 55418.....
1255J	8592	Knife Cam Lever Slide Screw for 39460...
1262C	8598	Starting Lever Hinge Screw for 55304....
1300J	8603	Clamp Arm Bracket Hinge Block Screw for 39336.....
1300J	8603	Cylinder Block Screw.....
1318D	8598	Stop Cam Interlocking Rod Stop Screw for 55285.....
1329D	8596	Needle Bar Thread Nipper Lever Spring Screw.....
1343E	8598	Stop Cam Interlocking Rod Case Bracket Screw.....
1362F	8592	Knife Bar Driving Lever Hinge Screw.....
1420E	8592	" " " " Lock Stud Stop Screw for 39297.....
1441C	8605	Feed Cam Driving Worm Set Screw for 18415 and 39211.....
1442C	8605	Feed Cam Driving Worm Position Screw for 18415 and 39211.....
1508E	8598	Stop Cam Interlocking Rod Case Stop Stud Screw Bushing Lock Nut for 55304....
1513J	8605	Oscillating Rock Shaft Hinge Pin Nut for 55453 and 65131.....
1518E	8605	Crank Connecting Rod Hinge Screw Nut....
1518E	8596	Needle Bar Connecting Link Hinge Screw Nut.....
1519E	8605	Oscillating Shaft Crank Slide Block Screw Stud Nut for 18387.....
1520E	8605	Arm Shaft Bushing (back) Adjusting Screw Nut.....
1520E	8598	Stop Cam Interlocking Rod Case Spring Adjusting Screw Nut for 39344.....
1547J	8604	Arch Clamp Foot Spring Adjusting Screw Lock Nut for 55447.....
1560C	8601	Eye and Finger Guard Tension Regulating Thumb Nut for 16202.....
1560C	8593	Tension Regulating Thumb Nut for 16202..
1562J	8612	Bobbin Winder Tension Regulating Thumb Nut for 60770.....
1620J	8612	Bobbin Winder Frame Hinge Screw Nut for 41713.....

NUMERICAL LIST OF PARTS

No.	Plate	Name
1651E	8592	Needle Bar Thread Nipper Rod Adjusting Stud Lock Nut.....
1653C	8607	Feed Cam Shaft Nut.....
1654C	8603	Clamp Arm Bracket Hinge Screw Nut for 39336.....
1654C	8603	Feed Plate Nut for 18490 and 55447.....
1654C	8592	Knife Cam Lever Roller and Screw Stud Nut for 1980.....
1655C	8609	Feed Regulator Roller and Screw Stud Nut for 1953.....
1662C	8598	Starting Lever Hinge Screw Nut for 55304
1679C	8609	Feed Across Regulator Ball Screw Stud Nut.....
1681C	8592	Knife Bar Driving Lever Hinge Screw Nut.
1698J	8601	Eye and Finger Guard Carrying Arm Hinge Screw (back) Nut for 121613.....
1698C	8611	Knife Holder Pinion Stud Bracket Screw Nut for 55404.....
1735J	8601	Eye and Finger Guard Carrying Arm Hinge Screw (front) Nut for 121613.....
1819	8605	Thread Take-up Lever Roller and Stud for 56756.....
1952	8609	Feed Across Regulator Roller and Stud for 18356.....
1953	8609	Feed Regulator Roller and Screw Stud with 1655C and 37310, for 17742 and 18487.....
1980	8592	Knife Cam Lever Roller and Screw Stud with 1654C, for 39330.....
2022	8605	Pulley (tight) Pin.....
2049	8605	Oscillating Shaft Crank Pin.....
2049	8605	Shuttle Driver Pin.....
2058	8596	Presser Bar.....
2073	8611	Shuttle Bobbin for 39296.....
2076	8611	" Cover Hinge Pin for 39296.....
2078	8611	" Delivery Eye Thread Guard for 44001.....
2080	8611	Shuttle Delivery Eye Thread Guard Rivet for 44001.....
2082	8611	Shuttle Main Spring for 39296.....
2084	8611	" " " Steady Pin for 39296
2086	8611	" Tension Spring for 44001.....
2090	8611	" " " Plate for 44001..
2102	8601	Eye and Finger Guard Tension Disc for 56791.....
2102	8593	Tension Disc for 56791.....
2103	8601	Eye and Finger Guard Tension Spring for 56791.....
2103	8593	Tension Spring for 56791.....
2105	8601	Eye and Finger Guard Tension Thread Guard for 68741.....

NUMERICAL LIST OF PARTS

No.	Plate	Name
2105	8593	Tension Thread Guard for 17725.....
2107	8601	Eye and Finger Guard Face Plate Thread Guard for 68742.....
2107	8593	Face Plate Thread Guard for 17725.....
2124	8601	Eye and Finger Guard Thread Take-up Spring for 56791.....
2124	8593	Thread Take-up Spring for 56791.....
2127	8601	Eye and Finger Guard Thread Take-up Spring Regulator Plate for 68742....
2127	8593	Thread Take-up Spring Regulator Plate for 17725.....
2211	8611	Shuttle Bobbin Retaining Spring for 39295.....
2212	8611	Shuttle Bobbin Retaining Spring Rivet for 39295.....
2455	8612	Bobbin Winder Tension Disc for 60770....
2770	23506	Starting Lever Rock Shaft Stop Dog with 140219C, for 55432 and 63981.....
3012	8605	Stop Cam Pin.....
3012	8605	Thread Take-up Cam Pin.....
4292	8605	Crank Connecting Rod with two 145E.....
4389	8605	Arm Dowel Pin.....
4448	8605	" Oil Tube for intermediate bearing...
4604	8611	Cylinder End Cover Bracket Rivet for 18427.....
4784	8605	Oscillating Rock Shaft Oil Pad for 16806 and 55278.....
6023	8605	Oscillating Shaft.....
7071	8592	Knife Bar Connection Screw Washer.....
7124	23506	Starting Lever Rock Shaft for 63981.....
7298	8611	" Holder Pinion Dowel Pin for 17825
8422	8612	Bobbin Winder Tension Thread Guide for 60770.....
8505	8603	Feed Plate Screw Stud Rivet for 18365 and 18486.....
8589	8609	Feed Regulator Bracket Dowel Pin.....
8589	8592	Knife Cam Lever Bracket Dowel Pin.....
9330	8603	Clamp Arm Pin for 18490.....
9730	8612	Bobbin Winder Tension Bracket Position Stud for 60770.....
10875	8599	Wrench for 1518 and 1520 (Attachments and Accessories).....
11831	8599	Screw Driver (large) Attachments and Accessories.....
12424	8605	Oscillating Shaft Crank Slide Block Cap Screw Washer for 15171.....
14224	23506	Starting Lever Rock Shaft Chain, length 10 1/4 in., with 56864, for 63981...
14079	8604	Arch Clamp Frame Dowel Pin for 55447....
15170	8605	Oscillating Shaft Crank Slide Block for 15171.....

NUMERICAL LIST OF PARTS

No.	Plate	Name
15171	-----	Oscillating Shaft Crank Slide Block complete for 18387, Nos. 2261, 1035C, 12424 and 15170.....
*15404	-----	Trade Mark for 55405.....
15405	-----	" " Rivet for 55405.....
16128	23506	Starting Lever Rock Shaft Hanger with two wood screws 1 in. No. 10, for 63981.....
16202	-----	Eye and Finger Guard Tension Screw Stud 600C with 1560C, for 56791.....
16202	-----	Tension Screw Stud 600C with 1560C, for 56791.....
16532	8598	Stop Cam Interlocking Rod Case Bracket Dowel Pin.....
16806	8605	Oscillating Rock Shaft with 4784 and 65131, for 69-19 Machine.....
17702	8605	Arm Shaft.....
17703	8605	" " Bushing (back).....
17724	8593	Face Plate for 17725.....
17725	8593	Face Plate complete, Nos. 448C, 2105, 2107, 2127, 17724, 56791 and two 233J....
17738	8609	Feed Across Regulator Ball Screw Stud Nut Washer.....
17741	8605	Belt Cover Bracket Stud for 39290....
17742	8609	Feed Regulator with 1953, for 69-19 Machine.....
17743	8603	Feed Regulator Post for 18365.....
17744	8609	" " Hinge Stud.....
17745	8609	" " Swivel.....
17766	8607	" Cam with two each 1192C, 17874 and four 190J, for 69-19 Machine.....
17797	8608	Feed Cam Driving Worm Wheel with 453C for 69-24 Machine.....
17805	8603	Feed Plate Carrier Bar Pivot Block....
17806	8603	" " Position Stud for 18365 and 18486.....
17808	8611	Knife (shuttle thread) for 55398.....
17822	8592	" Bar Rack Rivet for 18370.....
17825	8611	" Holder with 17830 and two 7298, for 55398.....
17827	8611	Knife Holder Pinion Stud for 17828.....
17828	8611	" " " " Bracket with 17827, for 55404.....
17829	8611	Knife Thread Holder for 55398.....
17830	8611	" " " " Position Pin for 17825.....
17831	8596	Needle Bar with 237F.....
17834	8596	" " Thread Nipper Lever with 17835
17835	8596	" " " " " Bushing for 17834.....

NUMERICAL LIST OF PARTS

No.	Plate	Name
17837	8592	Needle Bar Thread Nipper Rod.....
17838	8592	" " " " " Adjusting Stud.....
17839	8592	Needle Bar Thread Nipper Rod Arm with 196F.....
17840	8592	Needle Bar Thread Nipper Rod Support....
17841	8596	Presser Bar Collar with two 196F.....
17842	8596	" " Guide Bracket with 453C.....
17843	8592	" " Lifting Lever.....
17844	8592	" " " " Bracket for 55405.....
17845	8592	Presser Bar Lifting Lever Rod.....
17846	8592	" " " " Chain....
17853	8598	Starting Lever for 55304.....
17854	8605	Stop Cam for 68720.....
17855	8598	" " Interlocking Rod for 55285.....
17859	8598	" " " " Case Socket Joint for 55304.....
17861	8598	Stop Cam Interlocking Rod Case Stop Stud for 55304.....
17862	8598	Stop Cam Interlocking Rod Case Stop Stud Spring for 55304.....
17863	8598	Stop Cam Interlocking Rod Spring for 55285.....
17864	8598	Stop Cam Interlocking Rod Stop for 55285
17865	8596	Thread Wiper Body.....
17866	8596	" " " Hook for 17958.....
17867	8596	" " " Support.....
17868	8596	" " " Wire.....
17869	8596	" " " Screw Washer....
17872	8598	Trip Lever for 55304.....
17873	8598	" " Spring for 55304.....
17874	8607	Tripping Point for 17766 and 55448.....
17876	8602	Starting Lever and Foot Lifter Treadle with 443C, for 17884.....
17877	8602	Starting Lever and Foot Lifter Treadle Pitman Rod (lower) for 17880.....
17878	8602	Starting Lever and Foot Lifter Treadle Pitman Rod (upper) for 17880.....
17879	8602	Starting Lever and Foot Lifter Treadle Pitman Rod Clamp with two 161E, for 17880.....
17880	8602	Starting Lever and Foot Lifter Treadle Pitman complete for 17885, Nos. 17877 to 17879.....
17881	8602	Starting Lever and Foot Lifter Treadle Shaft for 17884.....
17882	8602	Starting Lever and Foot Lifter Treadle Spring for 17884.....
17883	8602	Starting Lever and Foot Lifter Treadle Stand for 17884.....

NUMERICAL LIST OF PARTS

No.	Plate	Name
17884	8602	Starting Lever and Foot Lifter Treadle complete for 17885, Nos. 17876, 17881 to 17883 and two wood screws 1 in. No. 10.....
17885	-----	Starting Lever and Foot Lifter Treadle and Pitman complete, Nos. 17880 and 17884.....
17886	8598	Starting Lever Pitman.....
17892	8602	Table Belt Guide Bracket with two 153E, for 39221.....
17893	8602	Table Belt Guide Pulley for 39221.....
17896	8602	" " " " Shaft Plug for 39219 and 39220.....
17905	8599	Wrench for 1654 and 1676 (Attachments and Accessories).....
17915	8592	Knife Bar Connection Slide Block for 17917.....
17916	8592	Knife Bar Connection Slide Block Stud for 17917.....
17917	-----	Knife Bar Connection Slide Block 17915 with 17916, for 18372.....
17919	8592	Knife Bar Driving Lever Lock Stud Spring for 39297.....
17958	8596	Arch Clamp Foot Lifter with 17866, for 69-24 Machine.....
17958	8596	Clamp Arm Lifter with 17866, for 69-19 Machine.....
17992	8603	Clamp Arm (lower) Hook for 63811.....
18356	8609	Feed Across Regulator with 1952.....
18357	8609	" " " Hinge Stud.....
18358	8605	" " Shaft.....
18359	8605	" " " Collar with two 200F..
18360	8606	" " " Crank (back) with 160E and 200C, for 69-24 Machine.....
18362	8605	Feed Across Shaft Crank (front) with 160E and 18363.....
18363	8605	Feed Across Shaft Crank (front) Stud for 18362.....
18364	8603	Feed Across Shaft Crank (front) Stud Slide Block.....
18365	8603	Feed Plate Carrier Bar with 934J, 1195E, 1221F, 8505, 17743, 18366, 18390, two 55300 and four 17806, for 18490.....
18366	8603	Feed Plate Carrier Bar Block for 18365 and 18486.....
18367	8603	Feed Plate Carrier Bar Block Cover for 18490 and 55447.....
18369	8609	Feed Regulator Bracket with 690D and two 160J.....
18370	8592	Knife Bar with 18373 and two 17822.....

NUMERICAL LIST OF PARTS

No.	Plate	Name
18371	8592	Knife Bar Cap.....
18372	8592	" " Connection with 17917.....
18373	8592	" " Rack for 18370.....
18379	8611	Cylinder End Cover Spring.....
18384	8607	Feed Cam Driving Worm Wheel Pin.....
18384	8607	" " Pin.....
18386	8605	Oscillating Shaft Crank for 18387.....
18387	-----	Oscillating Shaft Crank complete, Nos. 237F, 1519E, 15171 and 18386.....
18388	8603	Cylinder Block.....
18390	8603	Feed Plate Carrier Bar Plate for 18365 and 18486.....
18415	8606	Feed Cam Driving Worm with 1441C and 1442C, for 69-24 Machine.....
18419	8599	Cylinder Base Plate with two 453C, for 18424.....
18420	8599	Cylinder Base Plate Hinge Connection for 18424.....
18421	8605	Feed Across Shaft Crank (back) with 160E and 200C, for 69-19 Machine.....
18423	8599	Cylinder Base Plate Hinge Connection Hinge Pin for 18424.....
18424	8599	Cylinder Base Plate (hinged) complete, Nos. 18419, two each 18420, 18423, three wood screws 1 1/4 in. No. 12 and four 134D (Attachments and Ac- cessories).....
18427	8611	Cylinder End Cover with 18428, 18444 and three 4604.....
18428	8611	Cylinder End Cover Bracket for 18427....
18443	8598	Stop Cam Interlocking Rod Case Wearing Block for 55389.....
18444	8611	Cylinder End Cover Bracket Hinge Pin for 18427.....
18470	8592	Knife Cam Lever Bracket with 1177D.....
18471	8592	" " " Hinge Screw Bushing for 18472.....
18472	-----	Knife Cam Lever Hinge Screw Bushing 18471 with 50029C.....
18477	8604	Arch Clamp Foot Plate for 55447.....
18486	8604	Feed Plate Carrier Bar with 810D, 934J, 1195E, 1221F, 8505, 18366, 18390, 18488, 18489, two 55300 and four 17806, for 55447.....
18487	8610	Feed Regulator with 1953, for 69-24 Ma- chine.....
18488	8604	Feed Regulator Post for 18486.....
18489	8604	" " " Guide for 18486....
18490	8603	Clamp complete for 69-19 Machine, Nos. 1654C, 9330, 18365, 18367, 39304, 39336, 63811 and 63812.....

NUMERICAL LIST OF PARTS

No.	Plate	Name
18493	8598	Stop Cam Interlocking Rod Case Bracket 55304 with 39343, 39344 and two 1186D.....
18498	8605	Belt Cover.....
19793	8592	Knife Cam Lever Slide Steady Pin for 39329.....
21327	23506	Starting Lever Rock Shaft Hanger with two wood screws 1 in. No. 10, for 55432.....
21629	8596	Needle Bar Connecting Stud with 155C, for 63756.....
22003	8599	Wrench for 1651 (Attachments and Ac- cessories).....
26026	8599	Screw Driver (machine) Attachments and Accessories.....
26485	8599	Screw Driver (shuttle tension) Attach- ments and Accessories.....
27305	8612	Bobbin Winder Spindle for 41713.....
27321	8612	" " Frame for 41713.....
27326	8612	" " Stop Latch for 41713.....
27662	8599	Wrench for 1508 (Attachments and Ac- cessories).....
27683	23506	Starting Lever Rock Shaft Arm with two 356C, for 55432 and 63981.....
27739	22248	Thread Unwinder Thread Cone (wood) for large cones for 225258.....
27916	8612	Bobbin Winder Brake (leather) for 41598.
28084	8612	" " " Rivet for 41598....
32134	23506	Starting Lever Rock Shaft Spring for 55432 and 63981.....
32675	8596	Presser Bar Spring.....
37310	8609	Feed Regulator Roller and Screw Stud Nut Washer for 1953.....
39204	8605	Thread Take-up Cam with 446C.....
39211	8605	Feed Cam Driving Worm with 1441C and 1442C, for 69-19 Machine.....
39212	8607	Feed Cam Driving Worm Wheel with 453C, for 69-19 Machine.....
39218	8602	Table Belt Guide with two 168E, for 39221.....
39219	8602	Table Belt Guide Pulley Shaft (long) with 17896 and 63973, for 39221.....
39220	8602	Table Belt Guide Pulley Shaft (short) with 17896 and 63974, for 39221.....
39221	8602	Table Belt Guide complete, Nos. 17892, 39219, 39220, two each 17893, 39218 and three wood screws 1 1/4 in. No. 12.....
39222	8598	Belt Shifter for 55285.....
39235	8592	Knife Cam Lever Body for 39409.....

NUMERICAL LIST OF PARTS

No.	Plate	Name
39276	8596	Needle Bar Thread Nipper Lever Spring...
39290	8605	Belt Cover Bracket with 184E and 17741..
39295	8611	Shuttle Body with 398E, 2082, 2084, 2211 and two 2212, for 39296.....
39296	8611	Shuttle complete, Nos. 2073, 2076, 39295 and 44001.....
39297	8592	Knife Bar Driving Lever with 190J, 1420E, 17919 and 39298.....
39298	8592	Knife Bar Driving Lever Lock Stud for 39297.....
39304	8603	Feed Plate for 18490.....
39329	-----	Knife Cam Lever complete, Nos. 19793 and 39409.....
39330	8592	Knife Cam Lever Slide with 1980, for 39460.....
39331	8592	Knife Cam Lever Slide Screw Washer for 39460.....
39333	8603	Clamp Arm Bracket for 39336.....
39334	8603	" " " Hinge Block for 39336.....
39335	8603	" " Screw Plate for 39336.....
39336	-----	Clamp Arm Bracket (adjustable) complete for 18490, Nos. 129J, 1178J, 1300J, 1654C, 39333 to 39335 and 50048J....
39343	8598	Stop Cam Interlocking Rod Case Spring (flat) for 18493.....
39344	8598	Stop Cam Interlocking Rod Case Spring Bracket with 1520E and 50682C, for 18493.....
39346	8598	Stop Cam Interlocking Rod Case Bracket for 55304.....
39350	8592	Needle Bar Thread Nipper Driving Lever (adjustable) with 39351 and two 335J
39351	8592	Needle Bar Thread Nipper Driving Lever Extension for 39350.....
39352	8592	Needle Bar Thread Nipper Driving Lever Spring.....
39409	-----	Knife Cam Lever Body 39235 with 39460, for 39329.....
39460	-----	Knife Cam Lever Slide 39330 with 1255J and 39331, for 39409.....
39487	8605	Shuttle Driver with two 457C.....
41400	8599	Machine Rest Pin (wood) Attachments and Accessories.....
41598	8612	Bobbin Winder Base with 27916 and two 28084, for 41713.....
41600	8612	Bobbin Winder Pulley with 155C, for 41713.....
41713	-----	Bobbin Winder for 41714, Nos. 35D, 1620J, 27305, 27321, 27326, 41598, 41600, 41825 and 50356D.....

NUMERICAL LIST OF PARTS

No.	Plate	Name
41714	8612	Bobbin Winder (swinging automatic, left hand) complete for 126391, Nos. 161D, 41713, 60770 and two 1186C.....
41825	8612	Bobbin Winder Frame Spring for 41713....
43808	8612	" " Tension Spring for 60770..
44001	8611	Shuttle Cover with 112J, 466H, 2078, 2080, 2086 and 2090, for 39296.....
50018F	8611	Knife Holder Pinion Stud Bracket Screw for 55404.....
50029C	8592	Knife Cam Lever Hinge Screw for 18472...
50048J	8603	Clamp Arm Bracket Hinge Screw (eccen- tric) for 39336.....
50117J	8611	Knife (stationary) Screw for 55404.....
50165J	8601	Eye and Finger Guard Frame Screw for 121613.....
50222K	8601	Eye and Finger Guard Carrying Arm Hinge Screw (front) for 121613.....
50333C	8605	Arm Shaft Bushing (back) Adjusting Screw
50356D	8612	Bobbin Winder Frame Hinge Screw for 41713.....
50435K	8601	Eye and Finger Guard Depressing Screw for 121626.....
50435K	8601	Eye and Finger Guard Guiding Rod Hinge Screw for 121613.....
50598C	8609	Feed Across Regulator Ball Screw Stud for 55378.....
50682C	8598	Stop Cam Interlocking Rod Case Spring Adjusting Screw for 39344.....
51067C	23506	Starting Lever Rock Shaft Arm Set Screw for 55435.....
51381D	8611	Shuttle Race Ring Spring Screw for 55438
51387R	8605	Pulley (loose) Cap Screw for 68717....
51403J	8611	Shuttle Race Screw.....
55271	8611	" " Ring for 55438.....
55278	8606	Oscillating Rock Shaft with 4784 and 55453, for 69-24 Machine.....
55285	-----	Stop Cam Interlocking Rod Case 55418 with 1318D, 17855, 17863, 17864, 39222 and 68739, for 55304.....
55300	8603	Feed Plate Carrier Bar Block Steady Pin for 18365 and 18486.....
55304	-----	Stop Cam Interlocking Rod Case Bracket complete for 18493, Nos. 1182E, 1196C, 1204E, 1254C, 1262C, 1508E, 1662C, 17853, 17859, 17861, 17862, 17872, 17873, 39346, 55285 and two 898D.....
55321	8611	Knife (stationary) for 55404.....
55325	8611	Throat Plate Needle Hole Bushing (large needle hole) for 55403.....
55376	8609	Feed Across Connection with four 1067E, for 55378.....

NUMERICAL LIST OF PARTS

No.	Plate	Name
55378	-----	Feed Across Connection 55376 with 50598C and 55381.....
55381	8609	Feed Across Shaft Crank (back) Ball Stud for 55378.....
55388	8598	Stop Cam Interlocking Rod Case for 55389
55389	-----	" " " " 55388 with 18443 and two 193J, for 55418.....
55397	8611	Knife (needle thread) for 55398.....
55398	-----	" Holder 17825 with 1198C,17808,17829 and 55397, for 55404.....
55402	8611	Throat Plate for 55403.....
55403	-----	" " 55402 with 55325 and two 1208D, for 55404.....
55404	8611	Throat Plate complete, Nos. 1698C,17828, 50018F,50117J,55321,55398 and 55403.
*55405	-----	Arm with 15404, 17844 and two each 164E and 15405.....
55418	-----	Stop Cam Interlocking Rod Case 55389 with 63976 and two 1255D, for 55285.
55431	23506	Starting Lever Rock Shaft for 55432.....
55432	23506	Starting Lever Rock Shaft complete for Series 1800, 2800, S 38 and S 48 Motors, Nos. 27683, 32134, 55431, 55433,55435, wood screw 1 in. No. 12 F.H. and two each 2770 and 21327....
55433	23506	Starting Lever Rock Shaft Chain, length 10 1/4 in., with two 56865,for 55432
55435	23506	Starting Lever Rock Shaft Arm with two 51067C, for 55432.....
*55436	-----	Cylinder.....
55437	8611	Shuttle Race Body for 55438.....
55438	8611	Shuttle Race complete, Nos. 55271, 55437 and two each 51381D and 55439.....
55439	8611	Shuttle Race Ring Spring for 55438.....
55443	8604	Arch Clamp Foot (left) for 55444.....
55444	-----	" " " " 55443 with 219J and 63731, for 55447.....
55445	8604	Arch Clamp Foot (right) for 55446.....
55446	-----	" " " " 55445 with 219J and 63732, for 55447.....
55447	8604	Arch Clamp complete for 69-24 Machine, Nos. 1654C,18367,18477,18486,55444, 55446, 55451, 63734, two each 181J, 1229K, 1547J, 14079, 63733 and four 190W.....
55448	8608	Feed Cam (double nipper depression) with two each 190J, 1192C and 17874, for 69-24 Machine.....
55449	8604	Feed Plate for 55451.....
55450	8604	" " Guide for 55451.....

NUMERICAL LIST OF PARTS

No.	Plate	Name
55451	8604	Feed Plate complete for 55447, Nos. 55449, 55450 and two 240J.....
55452	8606	Oscillating Rock Shaft Hinge Pin for 55453.....
55453	-----	Oscillating Rock Shaft Hinge Pin 55452 with 1513J, for 55278.....
56756	8605	Thread Take-up Lever with 76C and 1819..
56791	8593	Eye and Finger Guard Tension complete for 68742, Nos. 2103,2124,16202 and two 2102.....
56791	8593	Tension complete for 17725, Nos. 2103, 2124, 16202 and two 2102.....
56864	23506	Starting Lever Rock Shaft Chain Hook for 14224.....
56865	23506	Starting Lever Rock Shaft Chain Hook for 55433.....
60769	8612	Bobbin Winder Tension Bracket for 60770.
60770	8612	Bobbin Winder Tension Bracket complete for 41714, Nos.419E,1562J,8422,9780, 43808, 60769 and two 2455.....
62155	8607	Feed Cam Shaft.....
63726	8604	Arch Clamp Foot Lifting Stud for 63731 and 63732.....
63731	8604	Arch Clamp Foot Shank (left) with 63726, for 55444.....
63732	8604	Arch Clamp Foot Shank (right) with 63726, for 55446.....
63733	8604	Arch Clamp Foot Spring for 55447.....
63734	8604	" " Frame for 55447.....
63756	8596	Needle Bar Connecting Link with 21629..
63811	8603	Clamp Arm (lower) with two 17992, for 18490.....
63812	8603	Clamp Arm (upper) for 18490.....
63973	8602	Table Belt Guide Pulley Shaft (long) Wick (braided cotton) for 39219.....
63974	8602	Table Belt Guide Pulley Shaft (short) Wick (braided cotton) for 39220.....
63976	8598	Belt Shifter Clamp for 55418.....
63981	23506	Starting Lever Rock Shaft complete for Series 1600 Motors, Nos. 7124,14424, 32134 and two each 2770, 16128 and 27683.....
65130	8605	Oscillating Rock Shaft Hinge Pin for 65131.....
65131	-----	Oscillating Rock Shaft Hinge Pin 65130 with 1513J, for 16806.....
68712	8605	Pulley (loose) 2 3/4 in. diam., with 200584D, for 68713.....
68713	-----	Pulley (loose) 68712 with 68714, for 68717.....

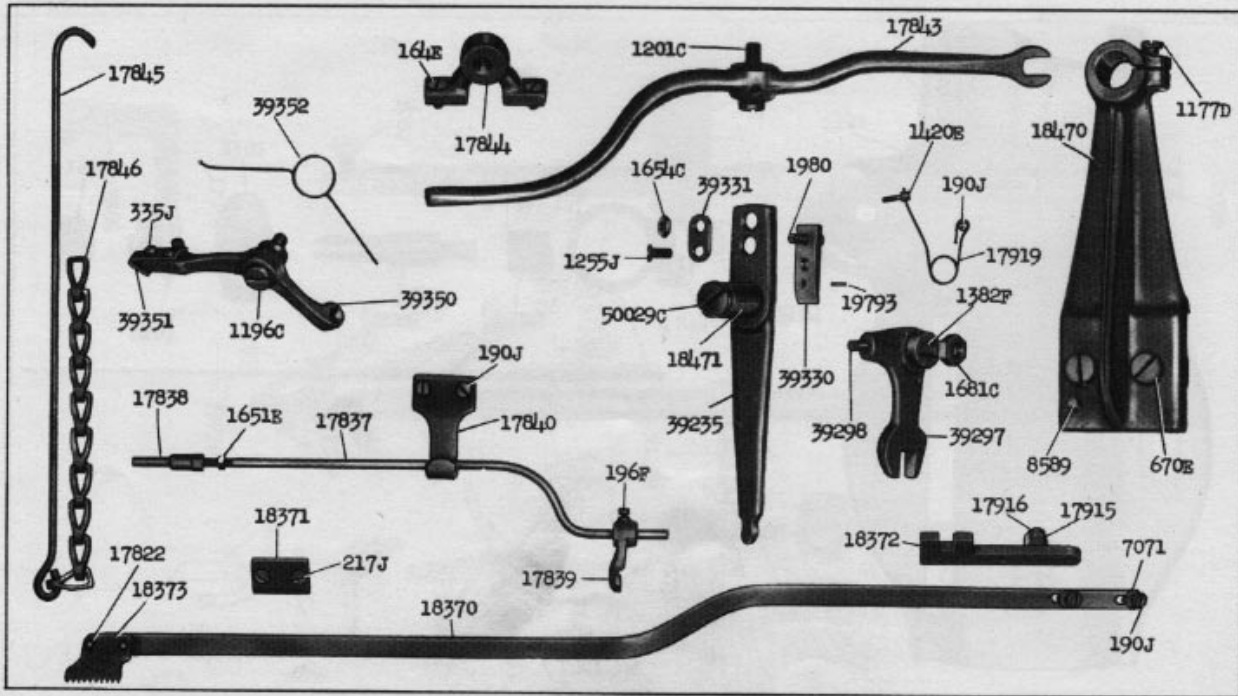
From the Gray of 2013

NUMERICAL LIST OF PARTS

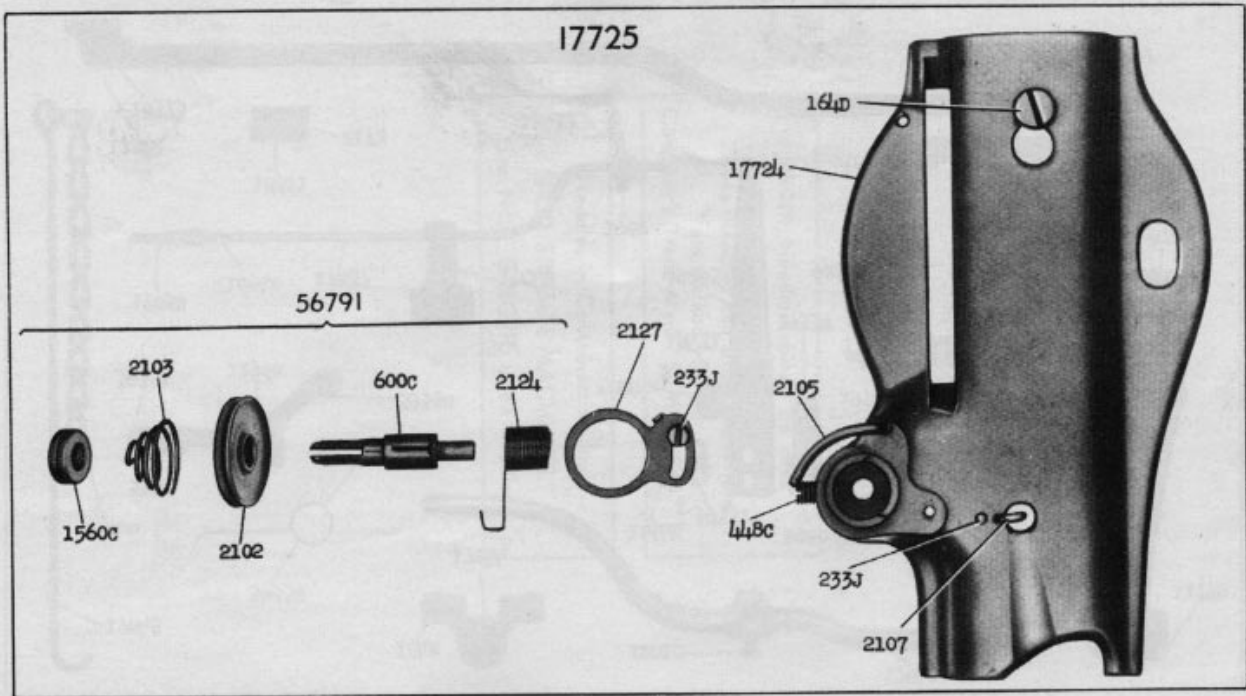
No.	Plate	Name
68714	8605	Pulley (loose) Ball Bearing for 68713...
68715	8605	" " Bushing for 68717.....
68716	8605	" (tight) 2 7/8 in. diam., for 68720.....
68717	-----	Pulleys (ball bearing) complete, Nos. 51387R, 68713, 68715 and 68720.....
68720	-----	Pulley (tight) 68716 with 1206C and 17854, for 68717.....
68739	8598	Stop Cam Interlocking Rod Stop Screw Washer for 55285.....
68740	-----	Eye and Finger Guard Face Plate for 68741.....
68741	8601	Eye and Finger Guard Face Plate 68740 with 2105, for 68742.....
68742	-----	Eye and Finger Guard Face Plate complete for 121626, Nos. 448C, 2107, 2127, 56791, 68741 and two 233J.....
120346	8599	Oiler (copper plated) with 120347 (At- tachments and Accessories).....
120347	8599	Oiler Spout, 8 1/2 in. long, for 120346.
121603	8601	Eye and Finger Guard (glass) for 121608.
121604	8601	" " " " Carrying Arm for 121613.....
121605	8601	Eye and Finger Guard Carrying Arm Spring for 121613.....
121606	8601	Eye and Finger Guard Depressing Screw Holder for 121626.....
121607	8601	Eye and Finger Guard Frame for 121608...
121608	-----	" " " " " " 121607 with 121603, for 121613.....
121609	8601	Eye and Finger Guard Guiding Rod for 121613.....
121611	8601	Eye and Finger Guard Holder for 121613..
121612	8601	" " " " Supporting Bracket for 121613.....
*121613	-----	Eye and Finger Guard complete for 121626, Nos. 1004K, 1698J, 1735J, 50222K, 50435K, 121604, 121605, 121608, 121609, 121611, 121612 and two 50165J.
121626	8601	Eye and Finger Guard with Face Plate complete, Nos. 50435K, 68742, 121606, 121613, 140061J and two 191J.....
124674	8605	Arm Side Cover.....
126391	8612	Bobbin Winder Bracket for 41714.....
140061J	8601	Eye and Finger Guard Depressing Screw Holder Screw for 121626.....
140219C	23506	Starting Lever Rock Shaft Stop Dog Set Screw for 2770.....
150203	22248	Thread Unwinder Spool Rest Cushion (felt) for 225258.....

NUMERICAL LIST OF PARTS

No.	Plate	Name
200383C	22248	Thread Unwinder Spool Rest Rod Set Screw for 202490.....
200584D	8605	Pulley (loose) Oil Plug Screw for 68712.
201018C	22248	Thread Unwinder Spool Rest Set Screw for 225257.....
201696J	22248	Thread Unwinder Thread Guide Lock Nut for 225258.....
202490	22248	Thread Unwinder Spool Stand with 200383C, for 225258.....
225257	22248	Thread Unwinder Spool Rest with 201018C, for 225258.....
225258	22248	Thread Unwinder complete (for two spools) Nos. 201696J, 202490, 225257, 225324, 225326, 225388, two each 150203, 225391 and three wood screws 7/8 in. No. 12
225322	22248	Thread Unwinder Thread Guide Rod Washer for 225324.....
225324	22248	Thread Unwinder Thread Guide Rod with 206E and 225322, for 225258.....
225326	22248	Thread Unwinder Thread Guide Position Cup for 225258.....
225388	22248	Thread Unwinder Spool Rest Rod for 225258.....
225390	22248	Thread Unwinder Thread Cone Holder for inverted cones, for 225258.....
225391	22248	Thread Unwinder Thread Guide for 225258.

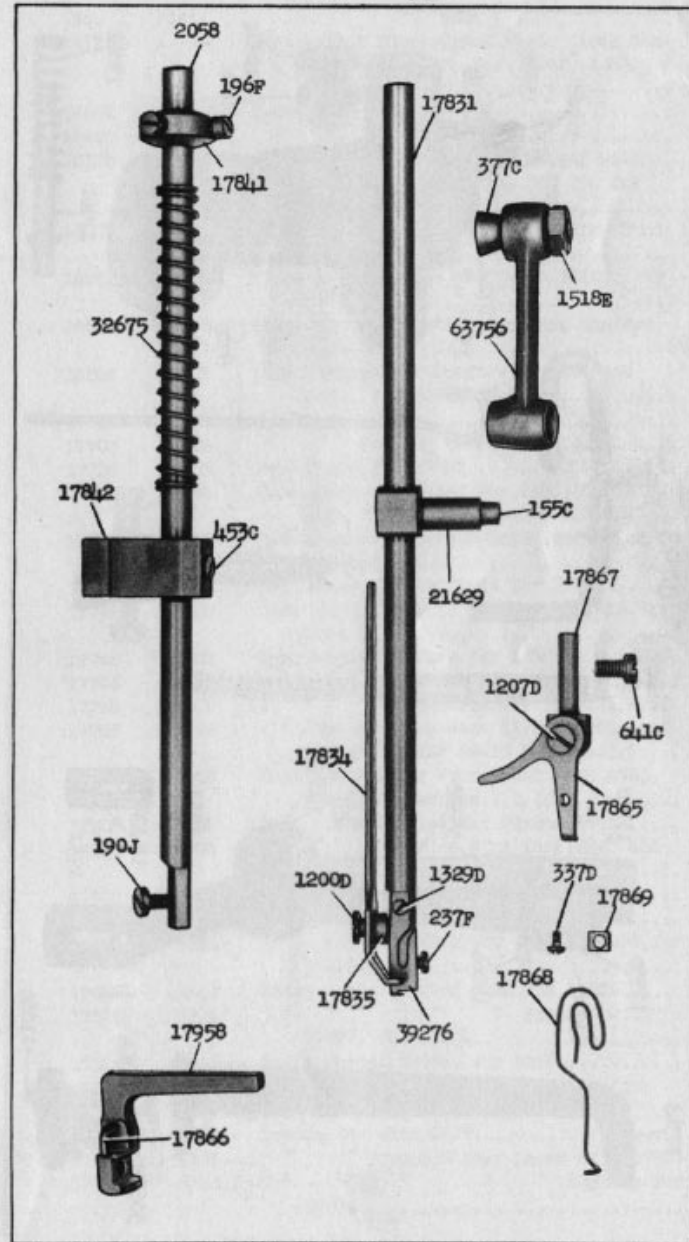


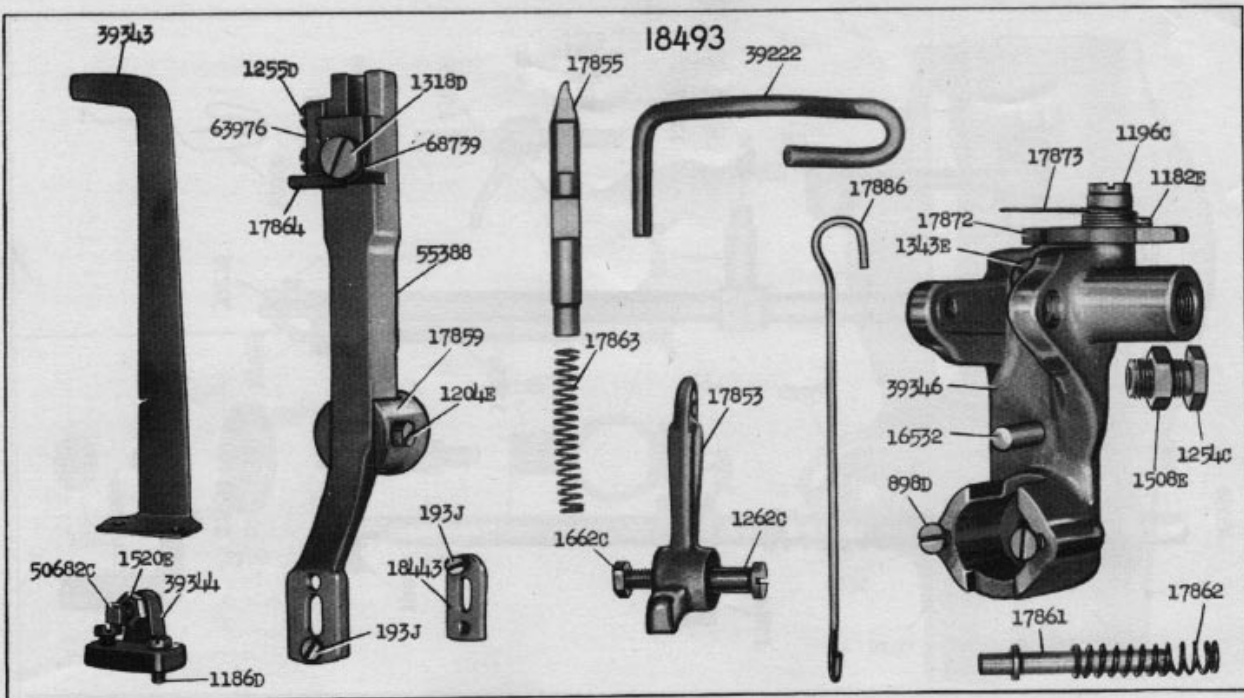
8592 - 1/3



8593 - 2/3

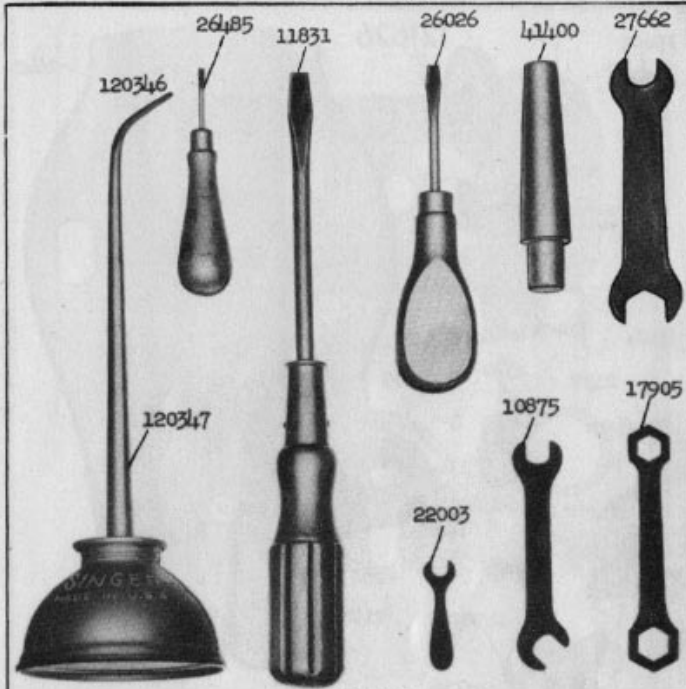
8596 - 2/3



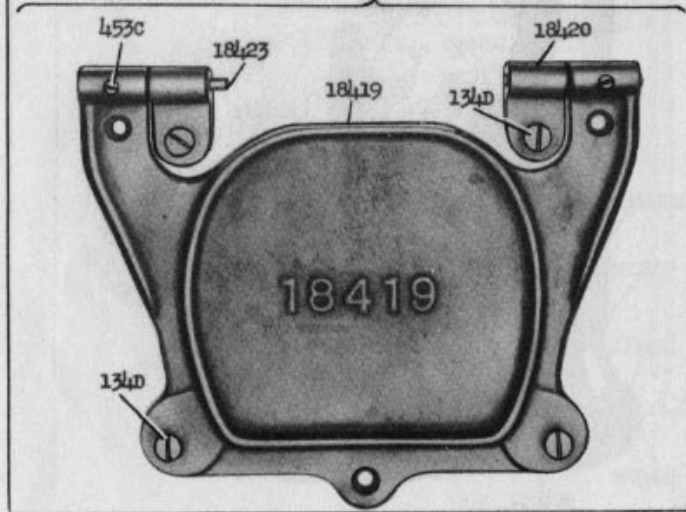


8598 - 2/3

8599 - 1/3

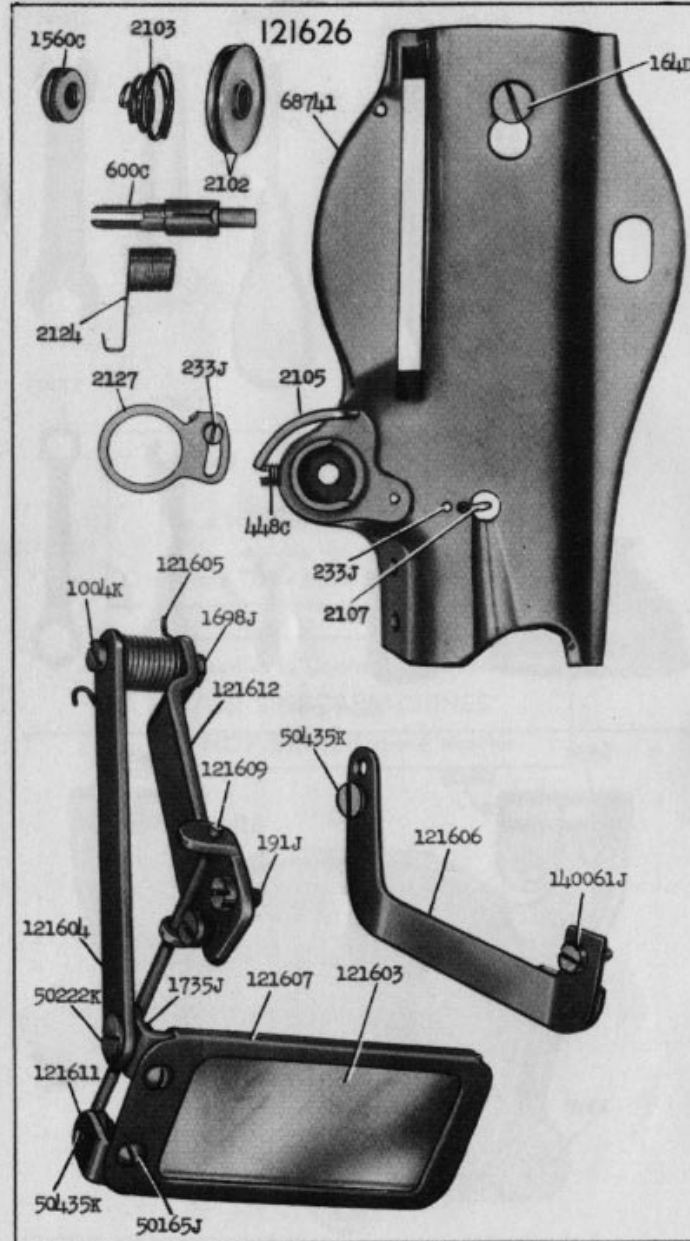


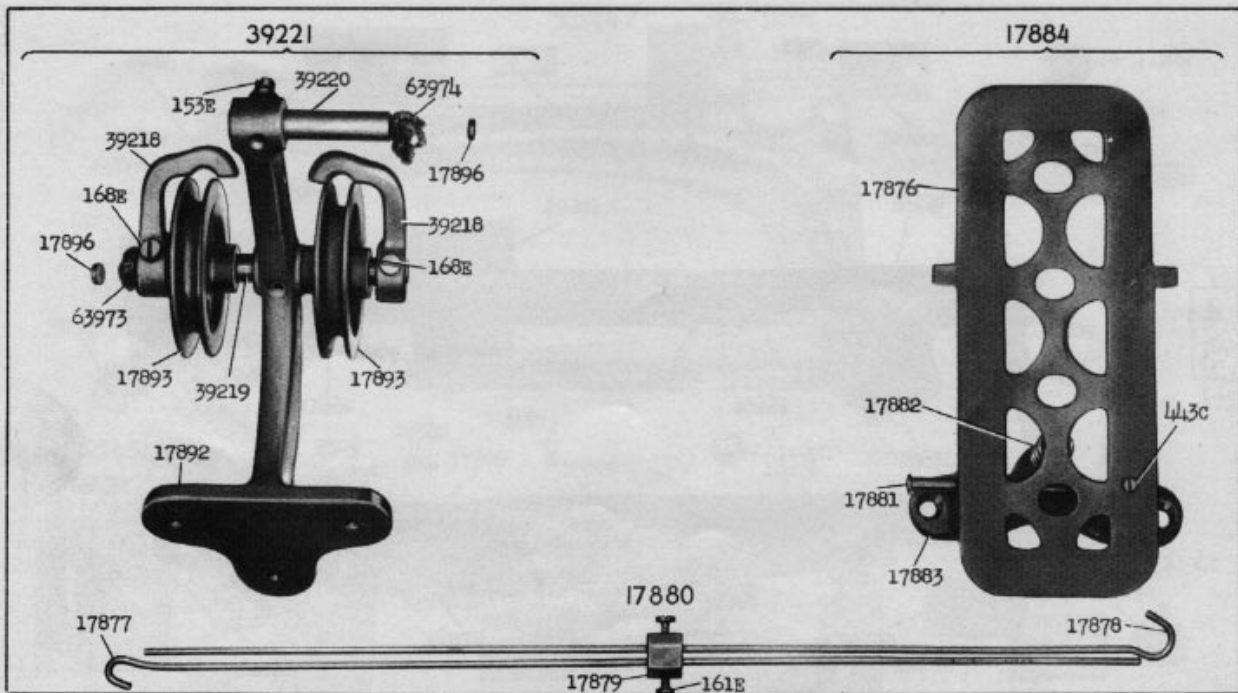
18424



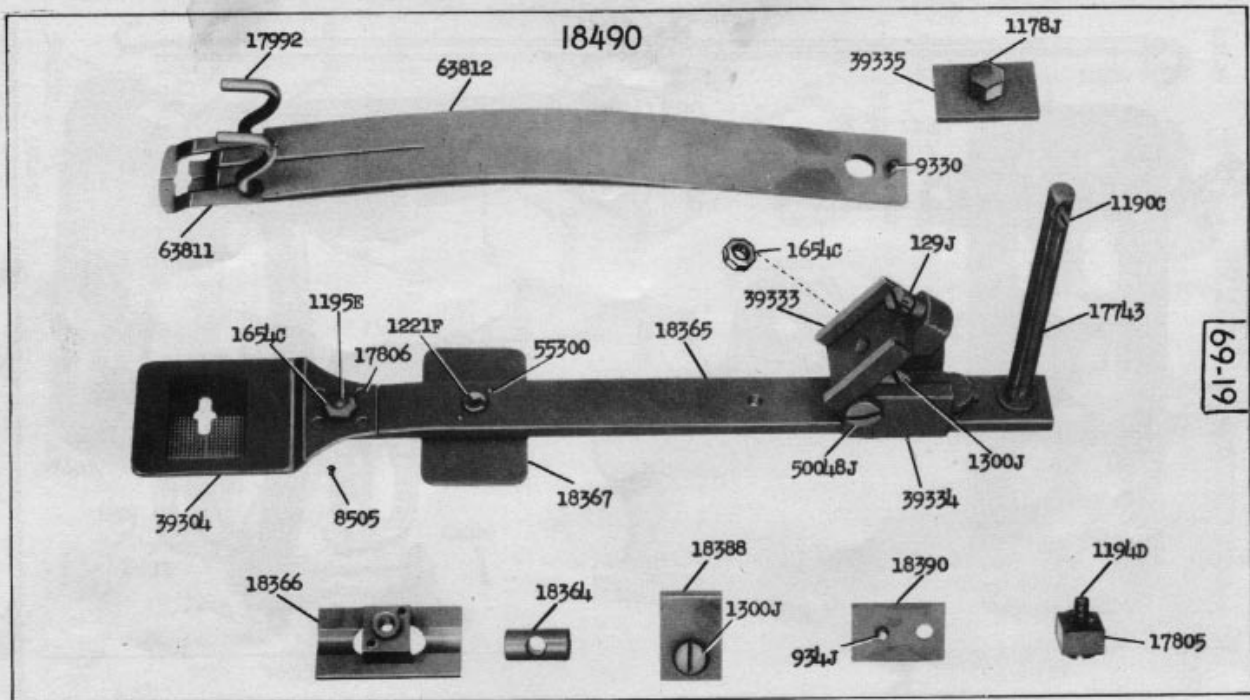
5-06761

8601 - 2/3



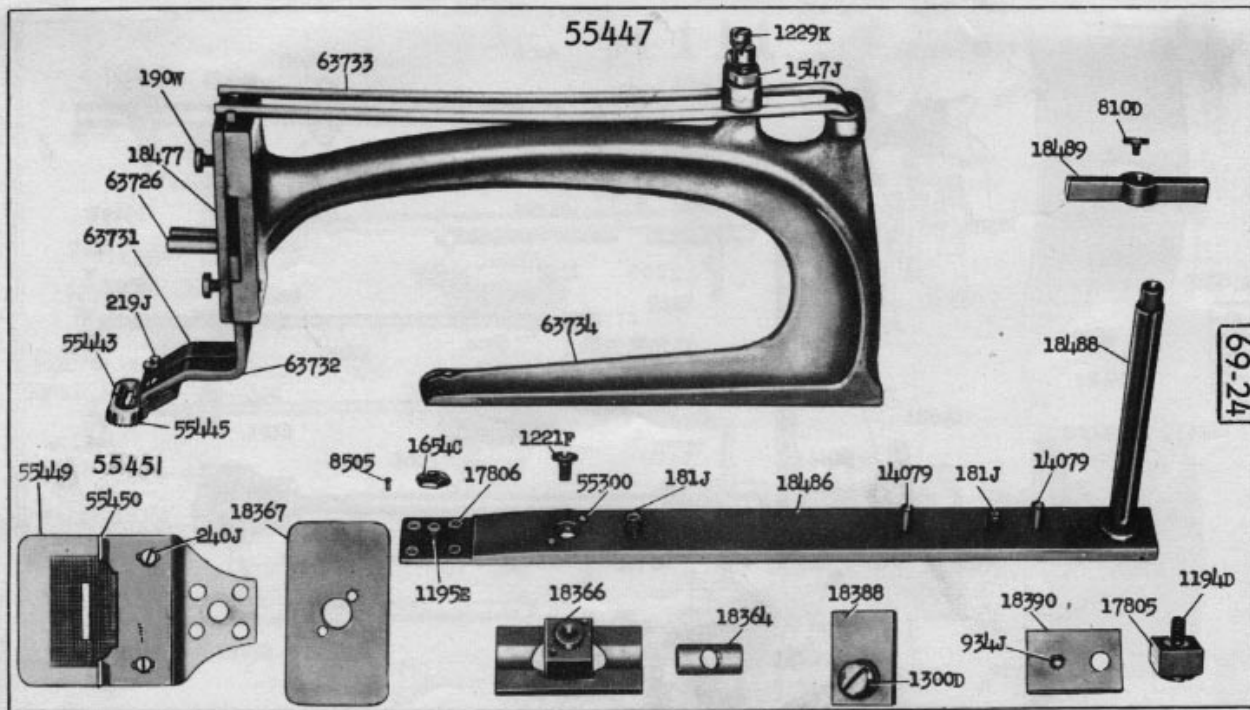


8602 - 1/3



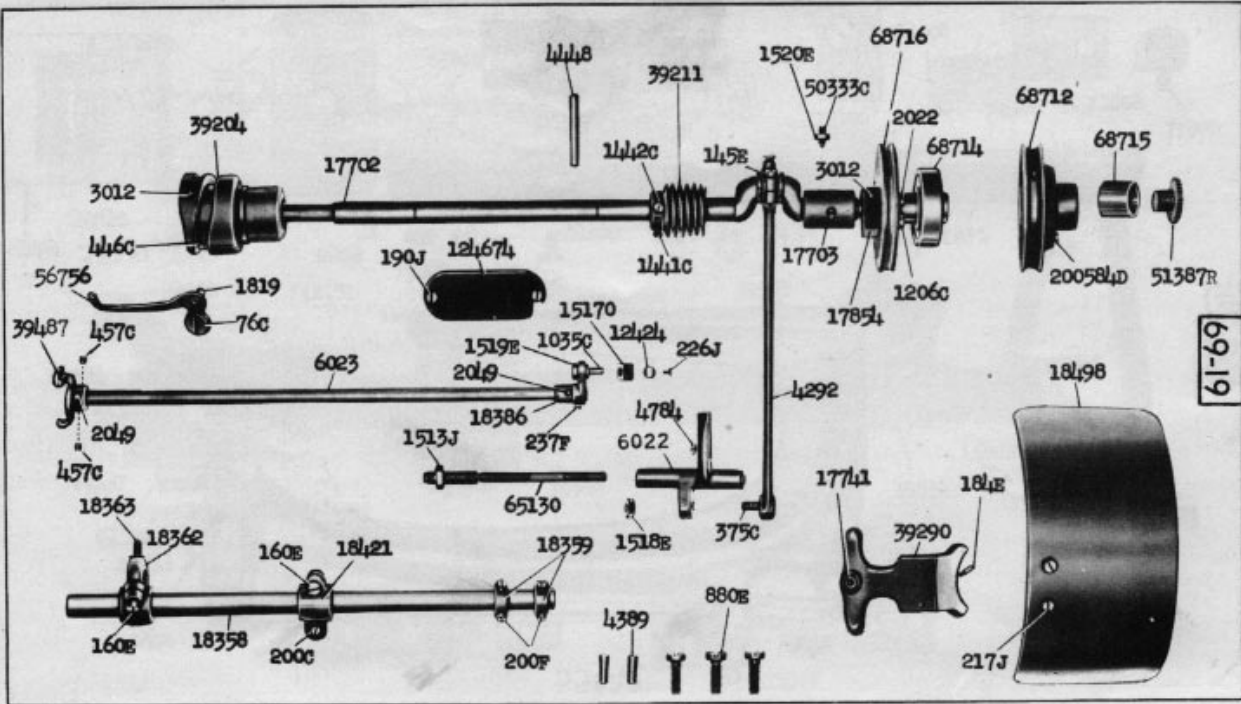
69-19

8603 - 1/2



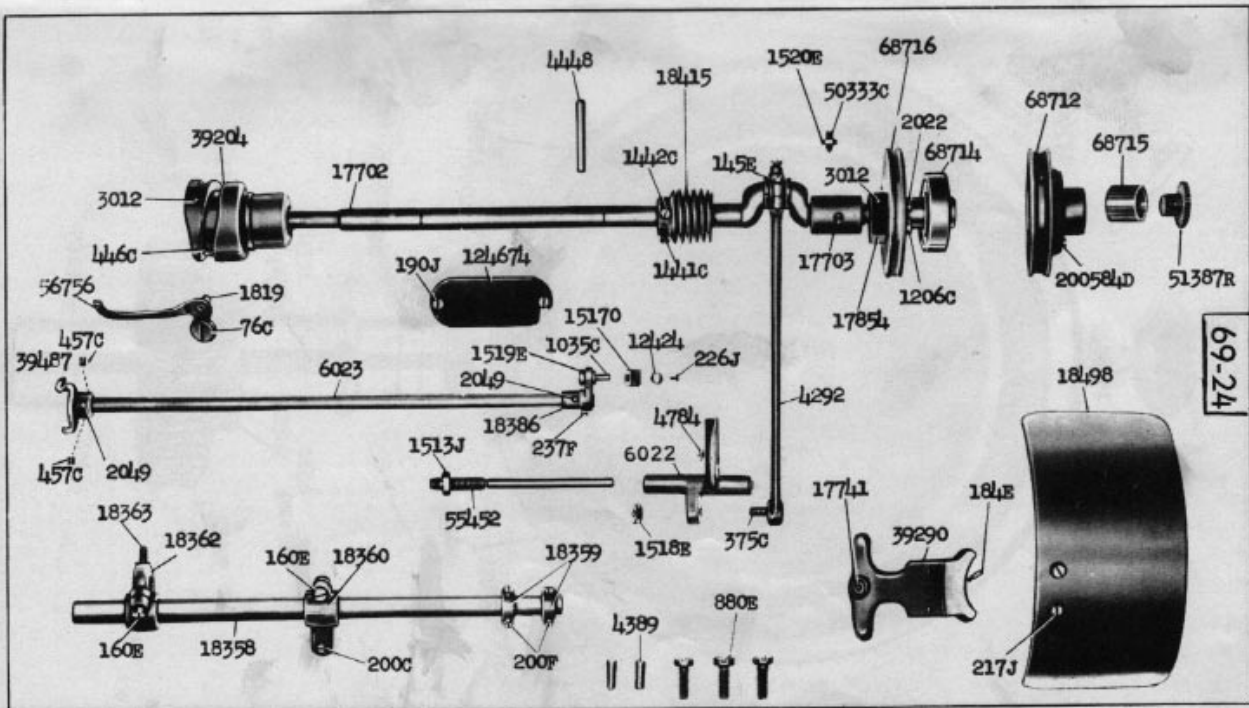
69-24

8604 - 1/2



69-19

8605 - 1/4

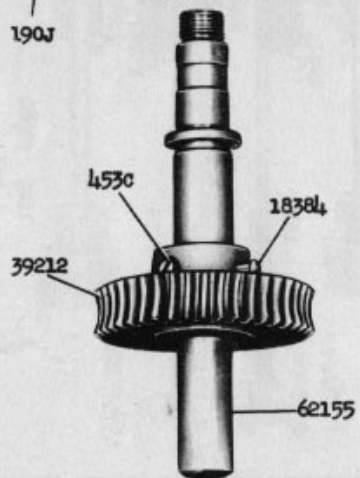
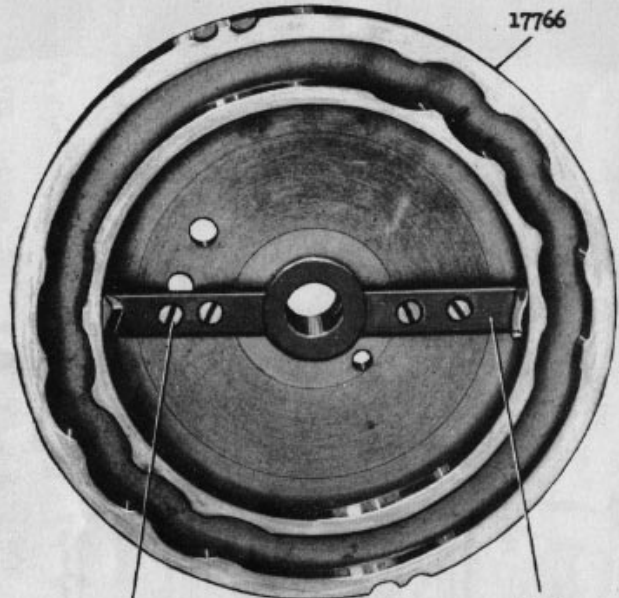


69-24

8606 - 1/4

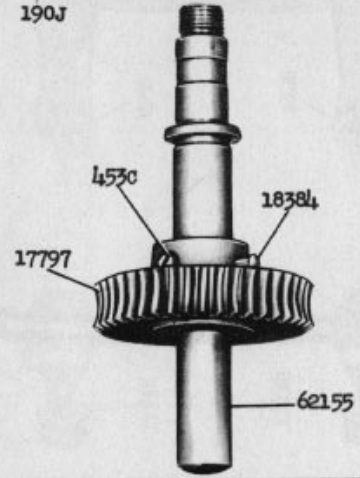
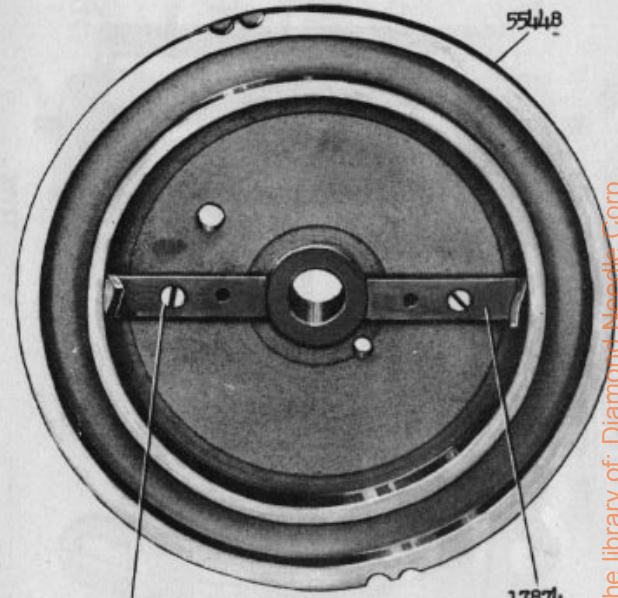
8607 - 1/2

69-19



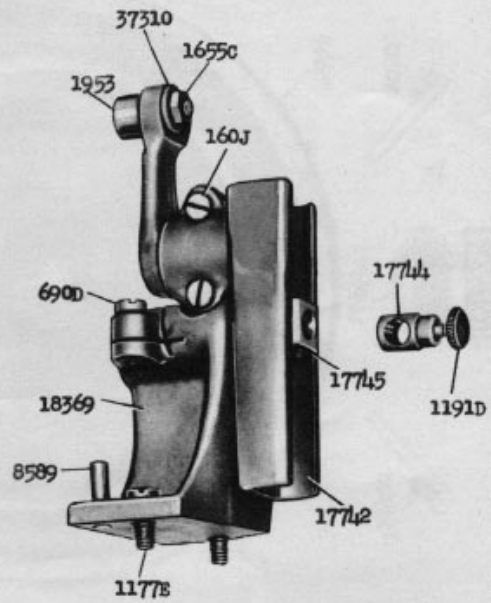
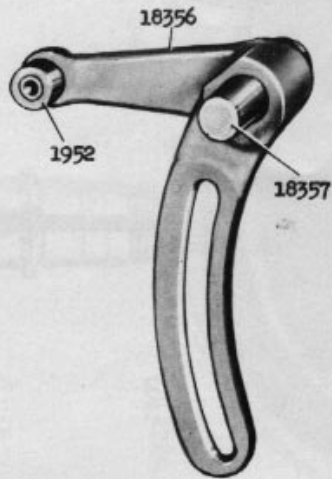
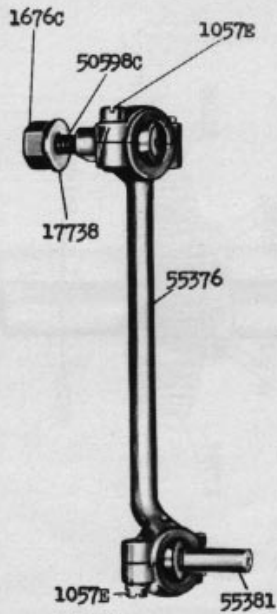
8608 - 1/2

69-24



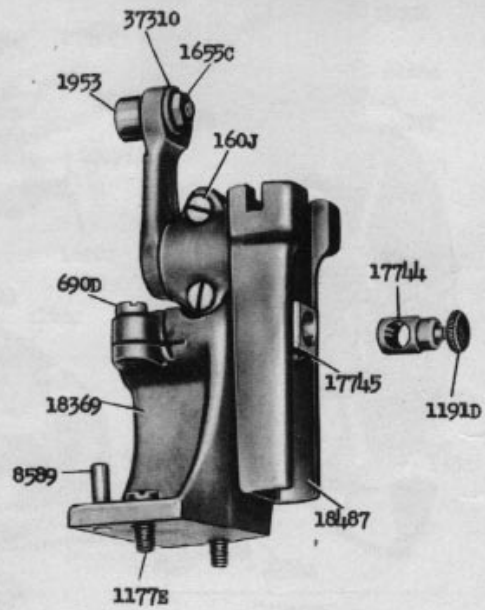
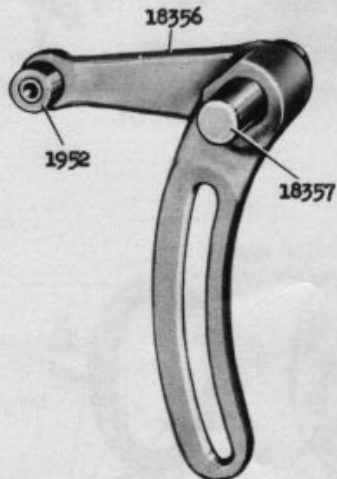
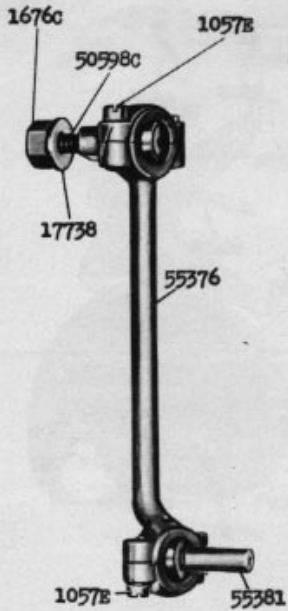
From the library of: Diamond Needle Corp

69-19

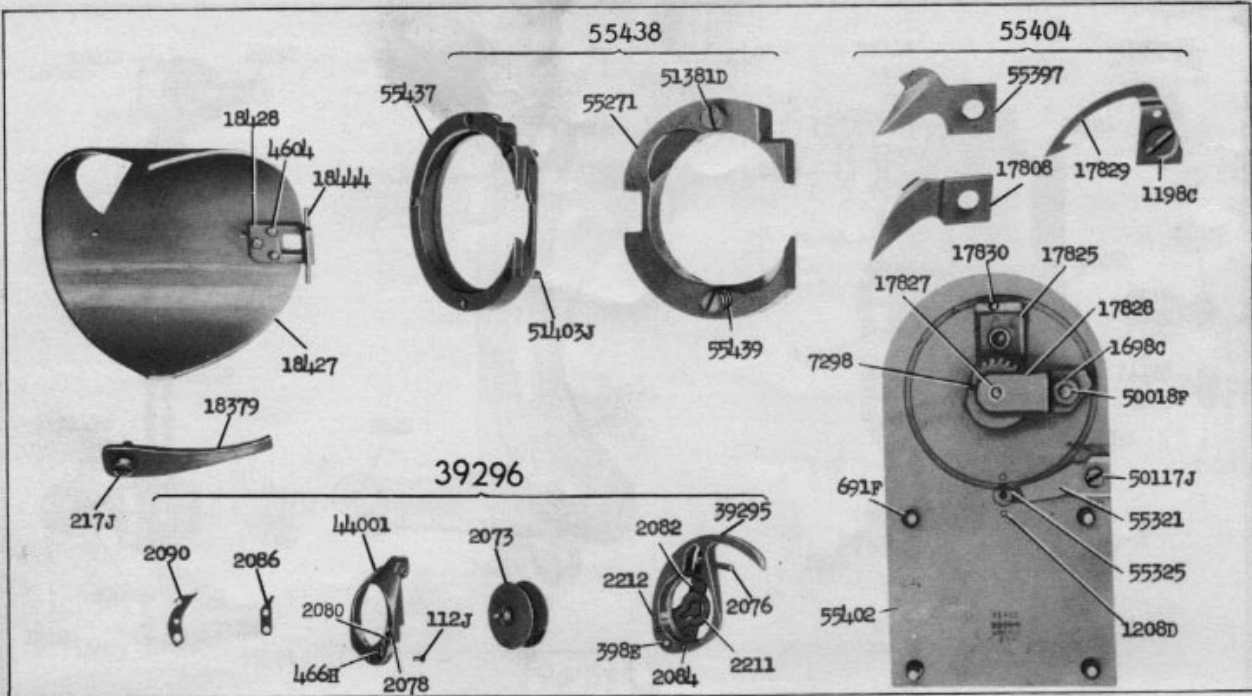


8609 - 1/2

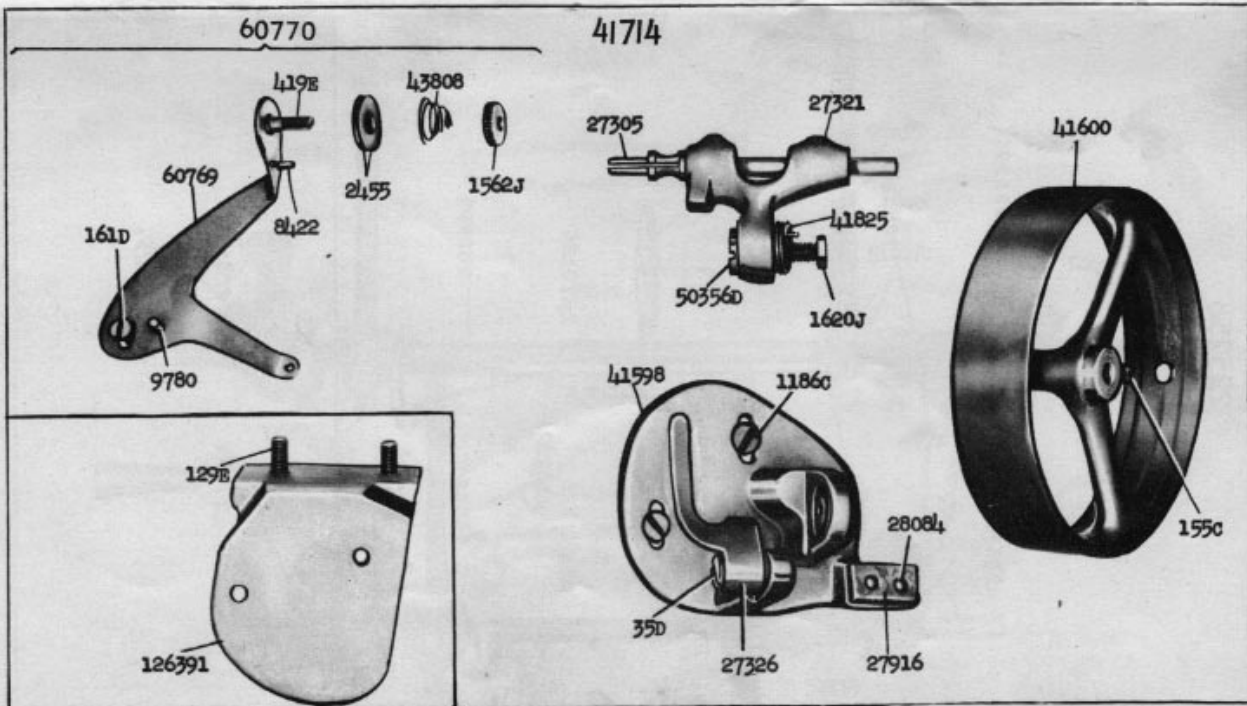
69-24



8610 - 1/2



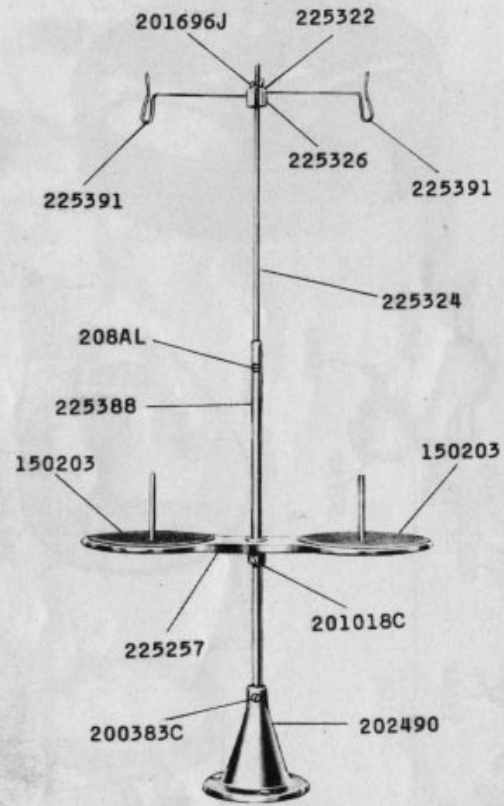
8611 - 1/2



8612 - 1/2

22248 - 1/6

225258

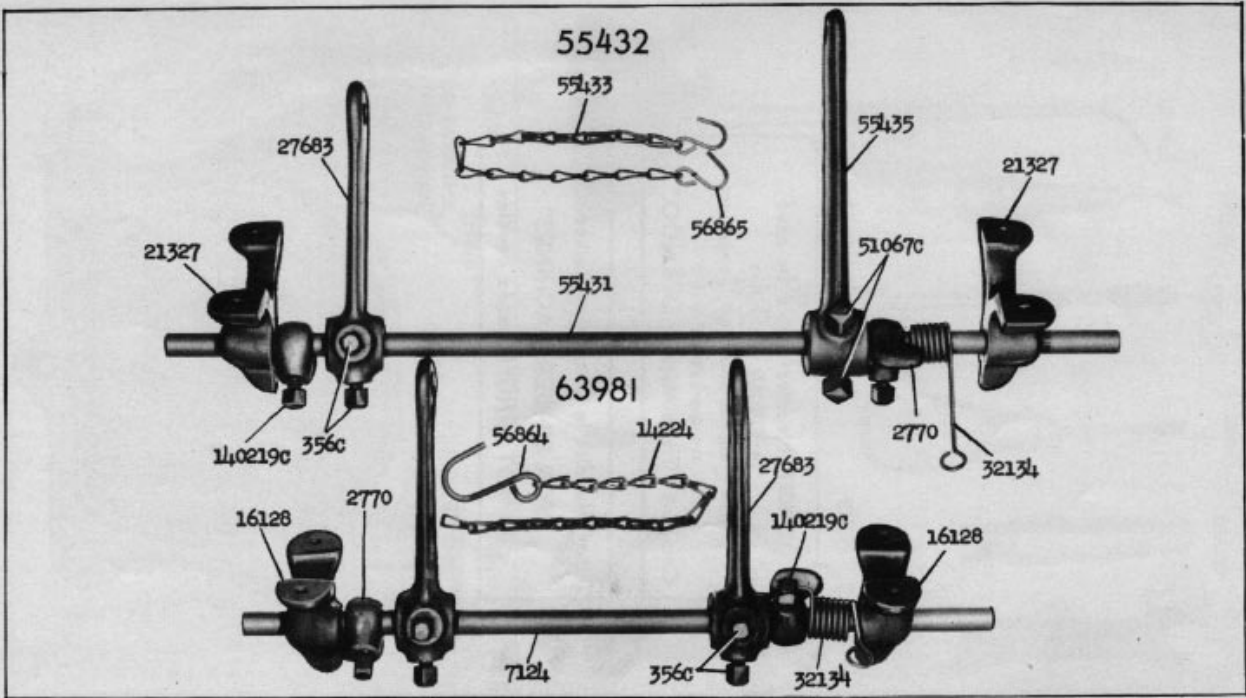


27739



225390





23506 - 1/3